

UNIVERSAL ENCLOSURES

7000 Designer Cases

Functional yet modern design in nine different sizes with anti-scratch finish. Used by leading OEMs across numerous industries.

- Lid and base moulded in ABS
- Lid mounted by four M3 machine screws
- Plastic screw covers for aesthetic appearance
- Fine texture anti-scratch finish
- Recesses in lid and base designed to accept membrane keypads or overlays
- Integral mounting guides in lid and base for vertical PCB mounting
- PCB pillars in lid and base
- Surface mountable via moulded fixing points or wall-mounting kit (optional)
- Option of gasket included
- Option of RFI and gasket (For IP65)



SPECIFICATION	
Materials	Lid, base & screw covers ABS, UL94-HB
Operating Temperature	Resistant to temperatures of up to 85°C
Protection class	IP54 as standard IP65 with gasket option
Standard colours	Grey
Standard unit includes	Base & lid 4x M3 Machine screws (Torque 0.5 Nm) 4x Screw covers
Options	Wall mounting kit IP65 gasket kits RFI Screening

GREY	LENGTH	WIDTH	HEIGHT	DESCRIPTION
CRDCG0001	90mm	55mm	25mm	Designer Case
CRDCGG001	90mm	55mm	25mm	With Gasket
CRDCERG01	90mm	55mm	25mm	With RFI & Gasket
CRDCG0002	90mm	55mm	40mm	Designer Case
CRDCGG002	90mm	55mm	40mm	With Gasket
CRDCERG02	90mm	55mm	40mm	With RFI & Gasket
CRDCG0003	110mm	85mm	35mm	Designer Case
CRDCGG003	110mm	85mm	35mm	With Gasket
CRDCERG03	110mm	85mm	35mm	With RFI & Gasket
CRDCG0004	127mm	75mm	30mm	Designer Case
CRDCGG004	127mm	75mm	30mm	With Gasket
CRDCERG04	127mm	75mm	30mm	With RFI & Gasket
CRDCG0005	127mm	75mm	45mm	Designer Case
CRDCGG005	127mm	75mm	45mm	With Gasket
CRDCERG05	127mm	75mm	45mm	With RFI & Gasket
CRDCG0006	145mm	90mm	45mm	Designer Case
CRDCGG006	145mm	90mm	45mm	With Gasket
CRDCERG06	145mm	90mm	45mm	With RFI & Gasket
CRDCG0007	190mm	120mm	60mm	Designer Case
CRDCGG007	190mm	120mm	60mm	With Gasket
CRDCERG07	190mm	120mm	60mm	With RFI & Gasket
CRDCG0008	220mm	145mm	50mm	Designer Case
CRDCGG008	220mm	145mm	50mm	With Gasket
CRDCERG08	220mm	145mm	50mm	With RFI & Gasket
CRDCG0009	220mm	145mm	80mm	Designer Case
CRDCGG009	220mm	145mm	80mm	With Gasket
CRDCERG09	220mm	145mm	80mm	With RFI & Gasket

* This series is available in Black on request

Wall mounting kit

- Universal design fits all sizes, available in grey
- Fits lid and base, surface 1.5mm from lid or 9.5mm base



GREY	DESCRIPTION
CRDCWMKIT	4x mounting feet

7000-IP Gasket kits

- EPDM gasket, dust and water protection from IP54 to IP65

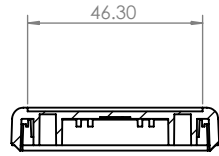
TYPE NO.	DESCRIPTION
CRDCGASK1	Gasket for Designer Case Size 1 and 2
CRDCGASK2	Gasket for Designer Case Size 3
CRDCGASK3	Gasket for Designer Case Size 4 and 5
CRDCGASK4	Gasket for Designer Case Size 6
CRDCGASK5	Gasket for Designer Case Size 7
CRDCGASK6	Gasket for Designer Case Size 8 and 9



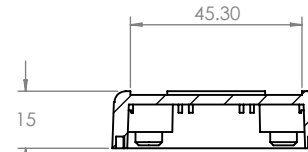
OVERALL ASSEMBLY DIMESIONS :

EXTERNAL - 90 x 55 x 25

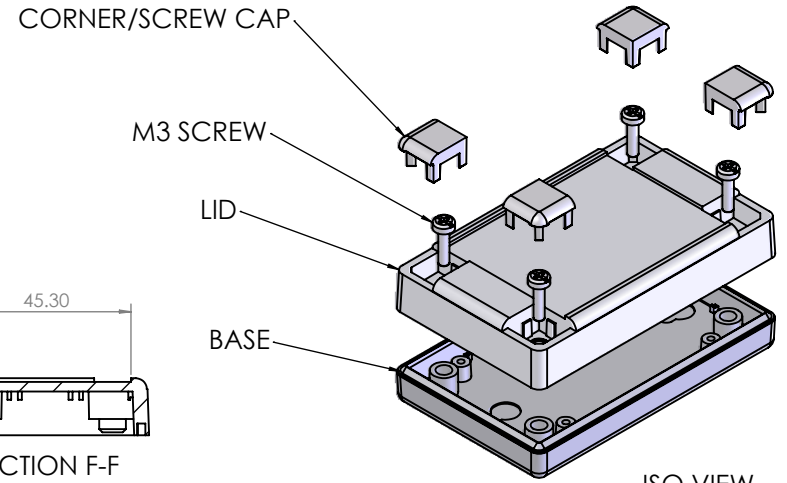
INTERNAL - 85 x 50 x 23.5



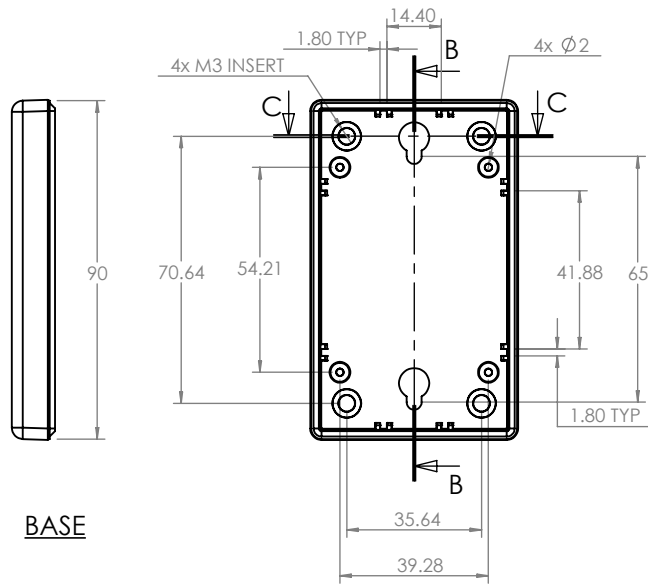
SECTION C-C



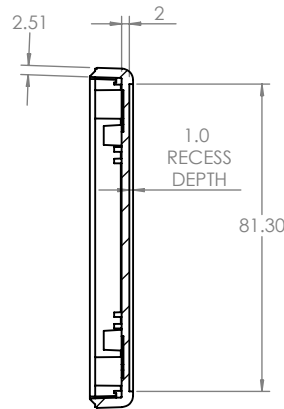
SECTION F-F



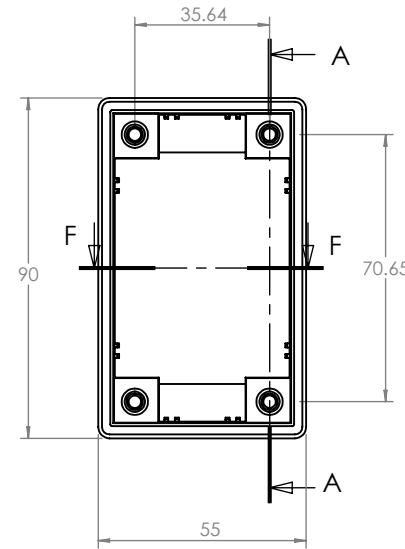
ISO VIEW



BASE

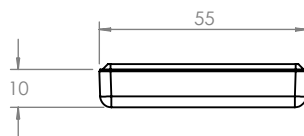


SECTION B-B



SECTION A-A

LID



UNLESS OTHERWISE SPECIFIED:
DIMENSIONS ARE IN MILLIMETERS

GENERAL TOLERANCES +/- 0.2

FINISH:
LIGHT SPARK

MATERIAL:
ABS HB

PROJECTION:

DO NOT SCALE DRAWING

REVISION:

TITLE: ASSEMBLY DRG FOR RECESS DESIGNER CASE SIZE 1 GREY

DWG NO. CRDCG0001

A4

SCALE: 1:2

SHEET 1 OF 1

NAME	SIGNED	DATE
IAN PAGANO	I.P.	24/09/13
CHKD	-	-

OVERALL ASSEMBLY DIMENSIONS:

EXTRENAL - 90 x 55 x 40

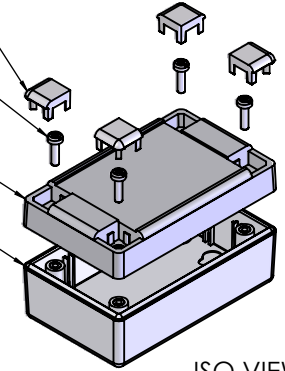
INTERNAL - 85 x 50 x 33.5

CORNER/SCREW CAP

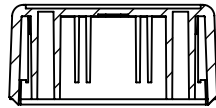
M3 SCREW

LID

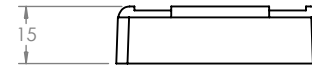
BASE



ISO VIEW
1:3



SECTION C-C



A

A

B

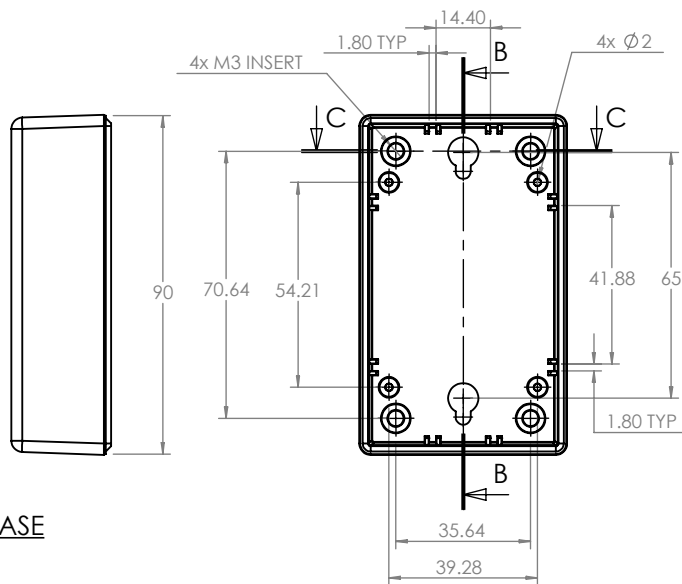
B

C

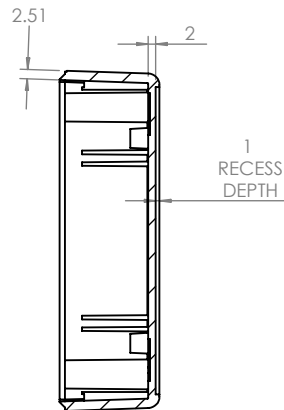
C

D

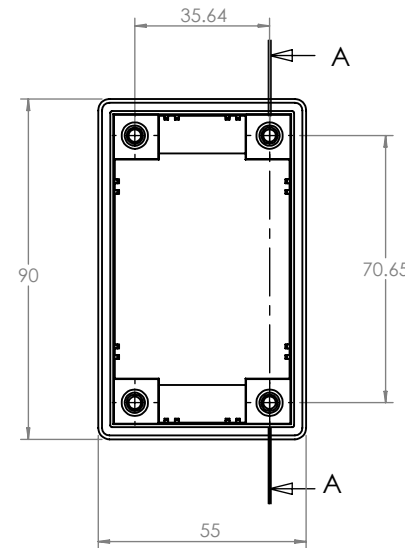
D



BASE



SECTION B-B



SECTION A-A

LID



UNLESS OTHERWISE SPECIFIED:
DIMENSIONS ARE IN MILLIMETERS

GENERAL TOLERANCES +/- 0.2

FINISH:
LIGHT SPARK

MATERIAL:
UL- 94 HB ABS

PROJECTION.

DO NOT SCALE DRAWING

REVISION.

TITLE: ASSEMBLY DRG FOR RECESS DESIGNER CASE SIZE 2 GREY

DWG NO. CRDCG0002

A4

DRAWN	NAME	SIGNED	DATE
IAN PAGANO	I.P.	24/09/13	

CHKD	NAME	SIGNED	DATE
-	-	-	-

SCALE: 1:2

SHEET 1 OF 1

1

2

3

1

2

3

4

5

6

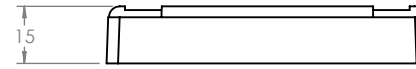
OVERALL ASSEMBLY DIMENSIONS:

EXTERNAL - 110 x 85 x 35

INTERNAL - 105 x 80 x 28.5



SECTION B-B

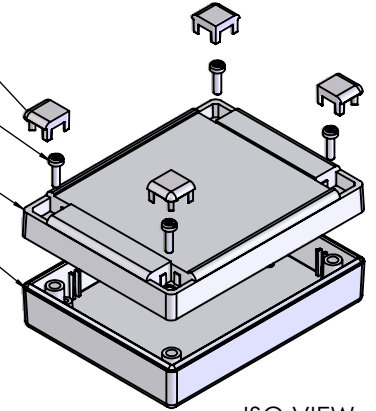


CORNER/SREW CAP

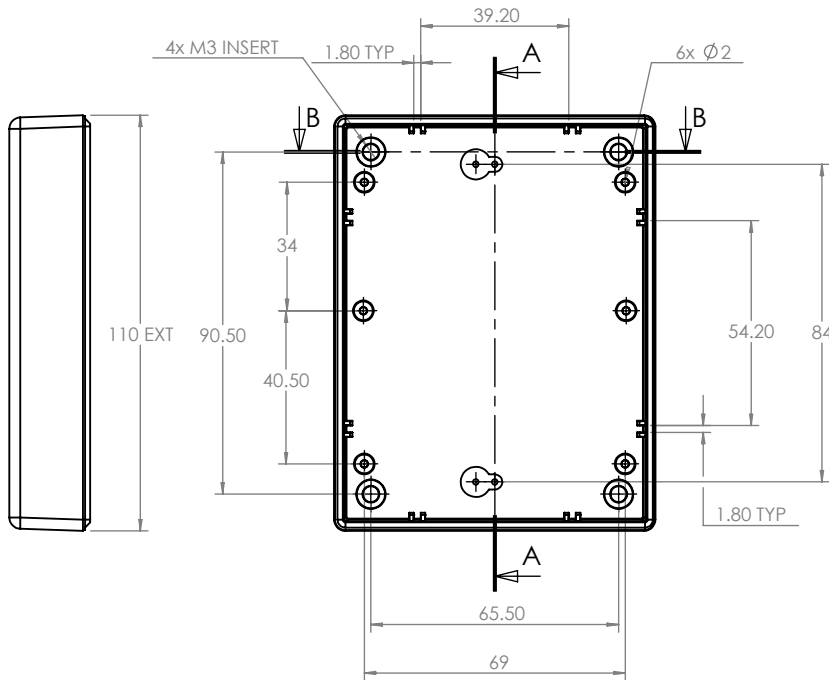
M3 SCREW

LID

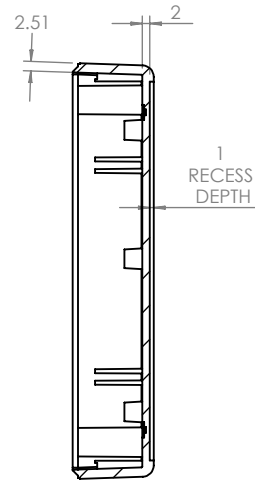
BASE



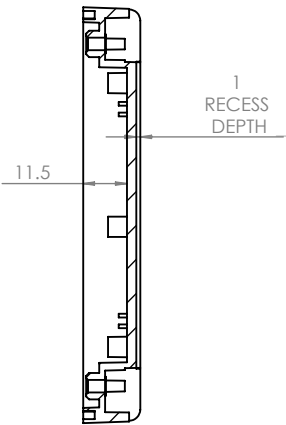
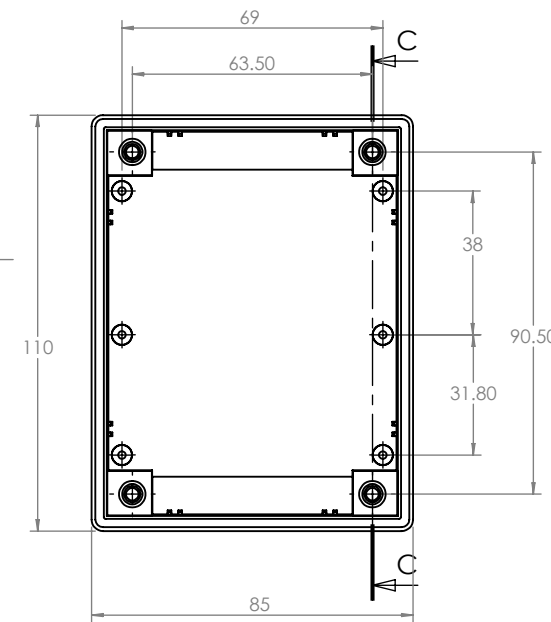
ISO VIEW
1:3



BASE

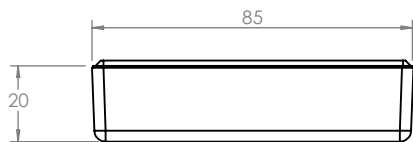


SECTION A-A



SECTION C-C

LID



UNLESS OTHERWISE SPECIFIED:
DIMENSIONS ARE IN MILLIMETERS

GENERAL TOLERANCES +/- 0.2

FINISH:
LIGHT SPARK

MATERIAL:
UL - 94 HB ABS

PROJECTION.

DO NOT SCALE DRAWING

REVISION. ○

TITLE: ASSEMBLY DRG FOR RECESS DESIGNER CASE SIZE 3 GREY

DWG NO. CRDCG0003

A4

DRAWN	NAME	SIGNED	DATE
IAN PAGANO	I.P.	24/09/13	

CHKD - - -

SCALE: 1:2

SHEET 1 OF 1

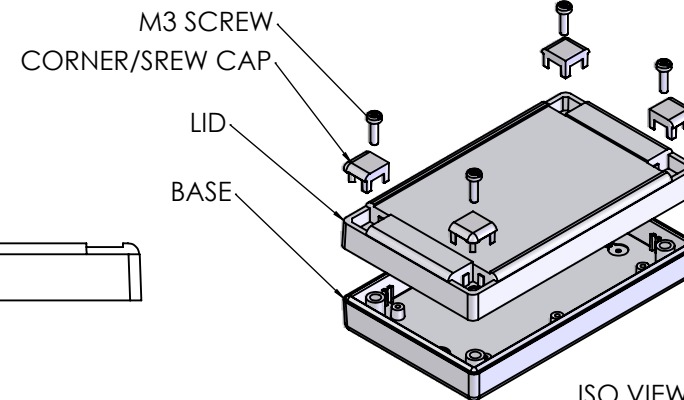
OVERALL ASSEMBLY DIMENSIONS:

EXTERNAL - 127 x 75 x 30

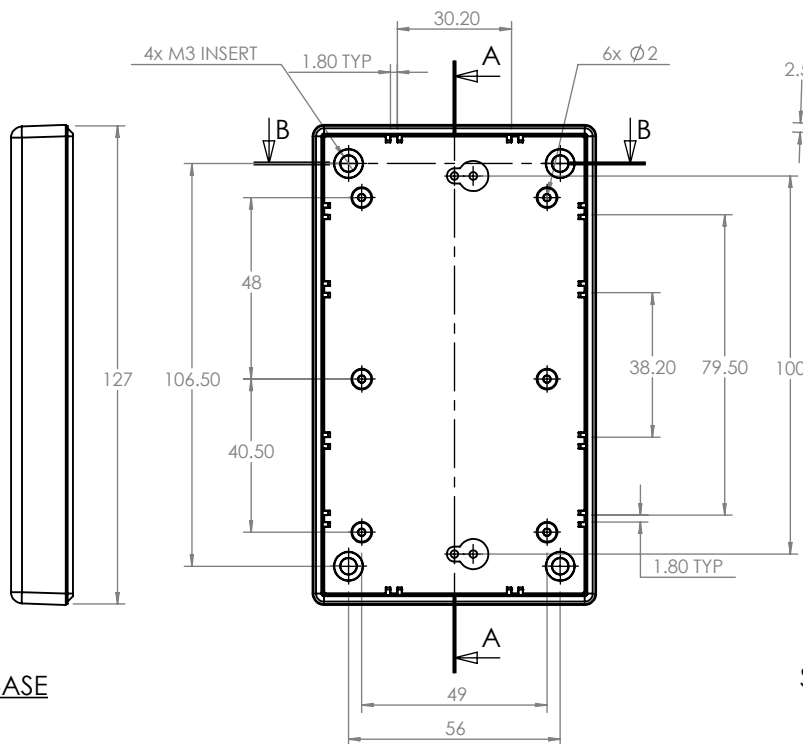
INTERNAL - 122 x 70 x 23.5



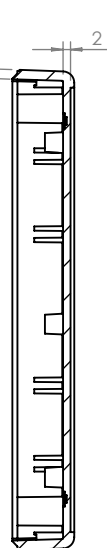
SECTION B-B



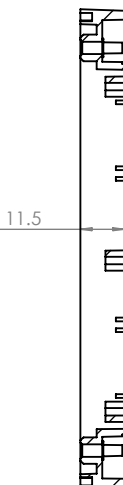
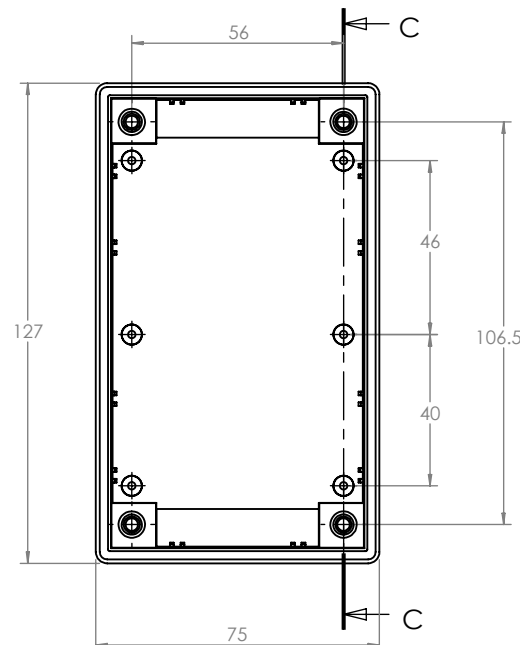
ISO VIEW
1:3



BASE

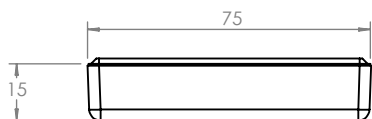


SECTION A-A



SECTION C-C

LID



UNLESS OTHERWISE SPECIFIED:
DIMENSIONS ARE IN MILLIMETERS

DO NOT SCALE DRAWING

REVISION: 0

FINISH:
LIGHT SPARK

TITLE:
ASSEMBLY DRG FOR RECESS
DESIGNER CASE SIZE 4 GREY

	NAME	SIGNED	DATE
DRAWN	IAN PAGANO	I.P.	20/01/14
CHKD	-	-	-

MATERIAL:
ABS

DWG NO. CRDCG0004

A4

PROJECTION.

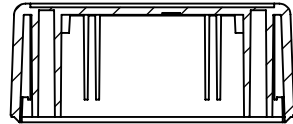
SCALE: 1 : 2

SHEET 1 OF 1

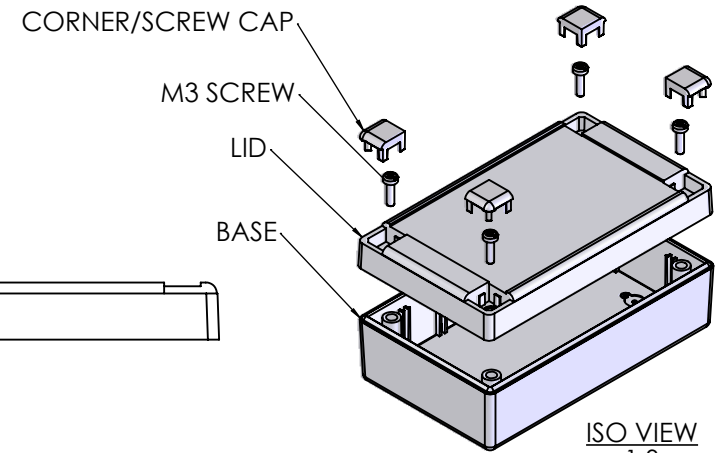
OVERALL ASSEMBLY DIMENSIONS:

EXTERNAL - 127 x 75 x 45

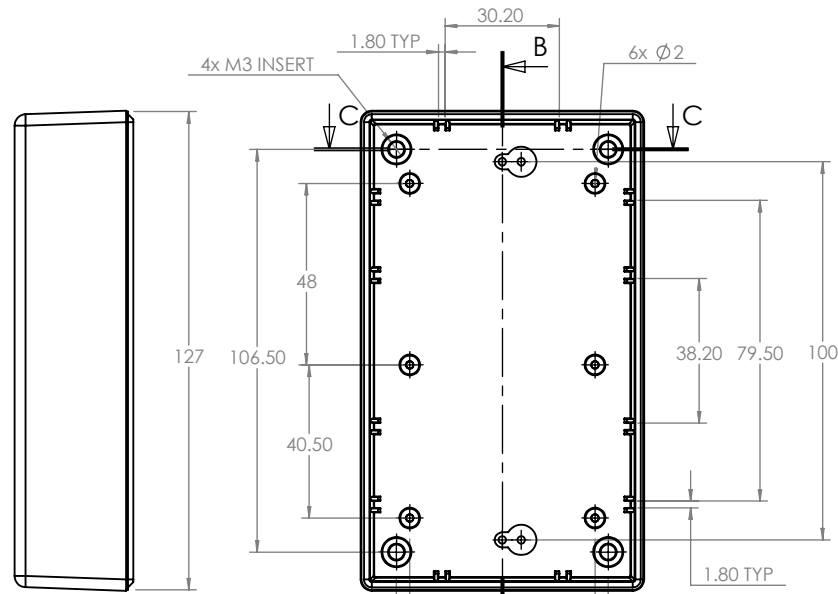
INTERNAL - 122 x 70 x 38.5



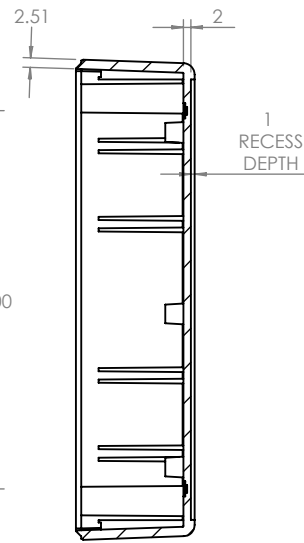
SECTION C-C



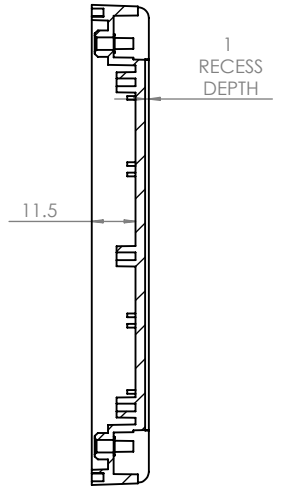
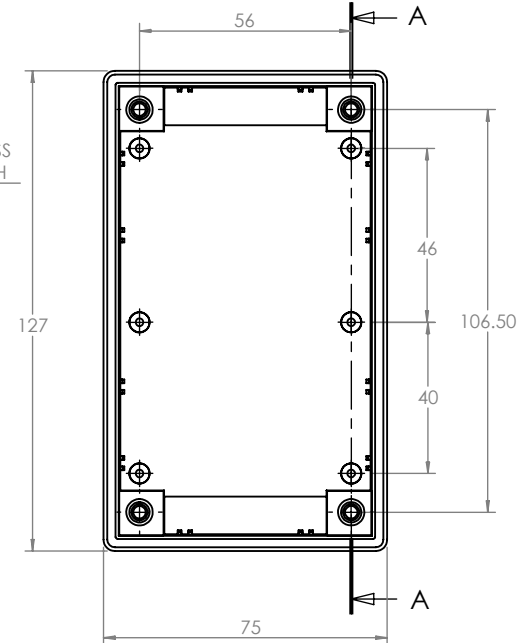
ISO VIEW
1:3



BASE

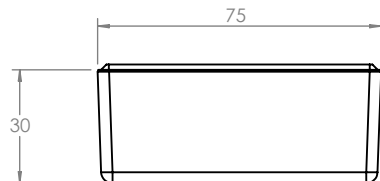


SECTION B-B



SECTION A-A

LID



UNLESS OTHERWISE SPECIFIED:
DIMENSIONS ARE IN MILLIMETERS

GENERAL TOLERANCES +/- 0.2

FINISH:
LIGHT SPARK

MATERIAL:
UL - 94 HB ABS

PROJECTION.

DO NOT SCALE DRAWING

REVISION.

TITLE: ASSEMBLY DRG FOR RECESS
DESIGNER CASE SIZE 5 GREY

DWG NO. CRDCG0005

A4

DRAWN	NAME	SIGNED	DATE
IAN PAGANO	I.P.	24/06/13	

CHKD - - -

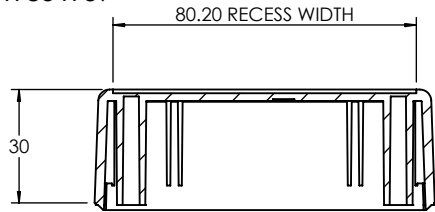
SCALE: 1:2

SHEET 1 OF 1

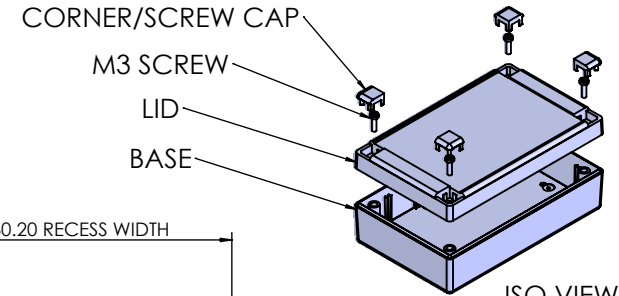
OVERALL ASSEMBLY DIMENSIONS:

EXTERNAL - 145 x 90 x 45.5

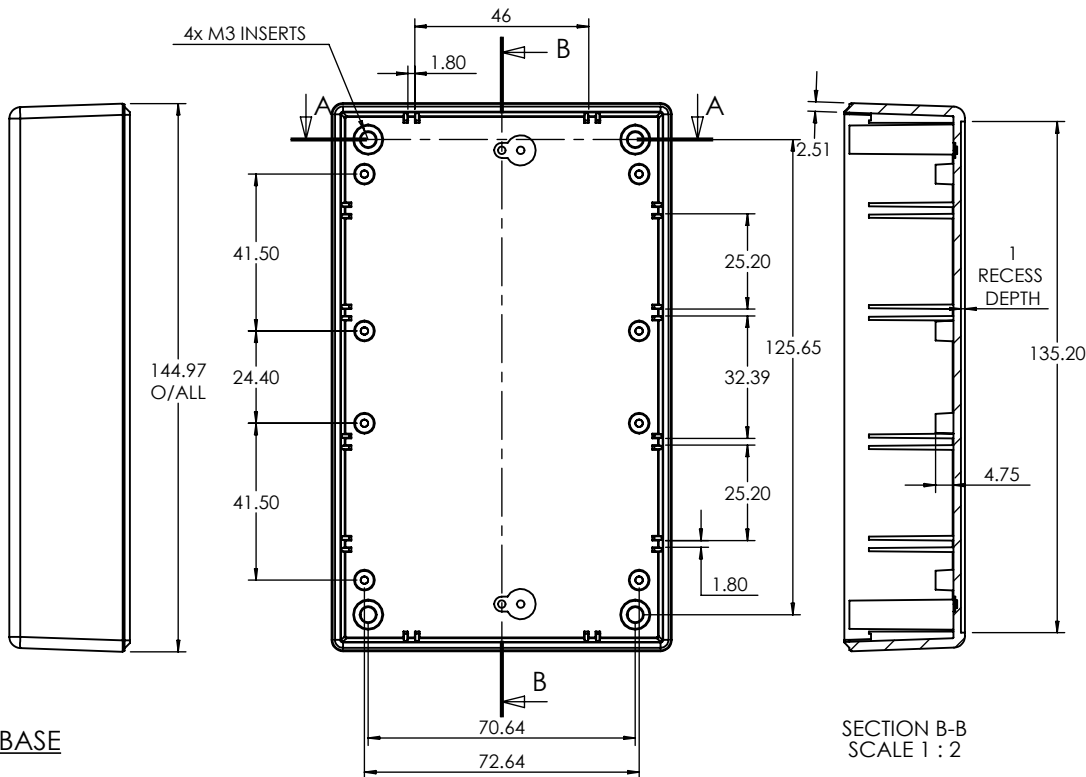
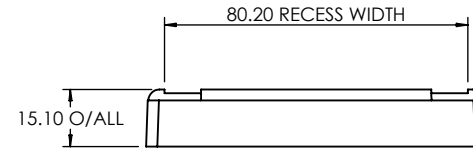
INTERNALS - 140 x 85 x 39



SECTION A-A
SCALE 1 : 2

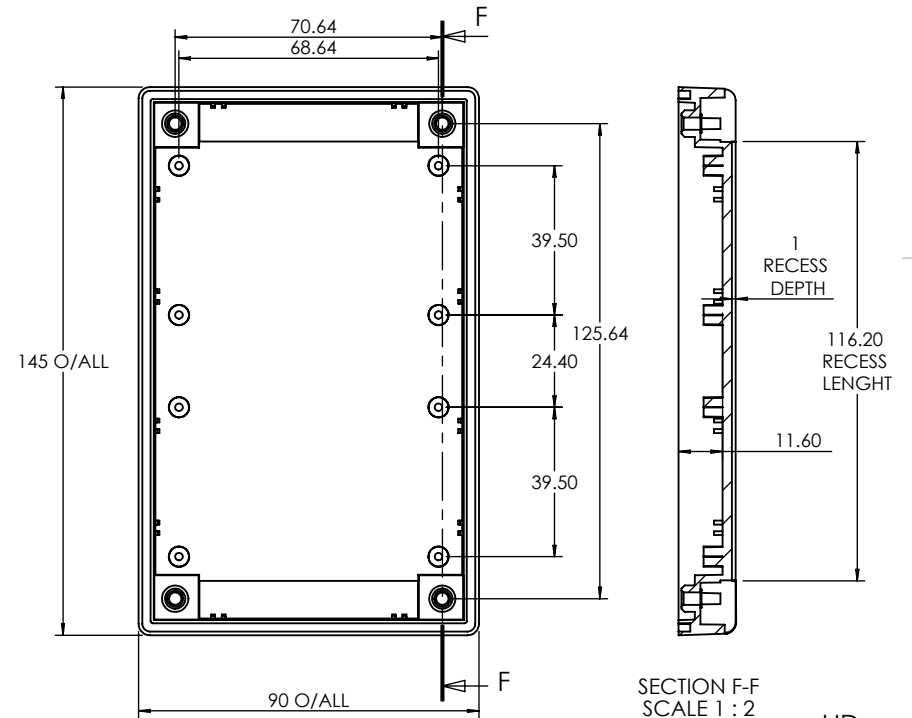


ISO VIEW
1:5



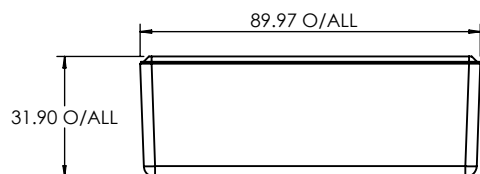
BASE

SECTION B-B
SCALE 1 : 2



LID

SECTION F-F
SCALE 1 : 2



UNLESS OTHERWISE SPECIFIED:
DIMENSIONS ARE IN MILLIMETERS

DO NOT SCALE DRAWING

REVISION: ○

GENERAL TOLERANCES +/- 0.2

TITLE: ASSEMBLY DRG FOR RECESS
DESIGNER CASE SIZE 6 GREY

FINISH: LIGHT SPARK

MATERIAL: ABS UL - 94 HB

DWG NO. CRDCG0006

NAME: IAN PAGANO
SIGNED: I.P.
DATE: 20/01/14

A4

PROJECTION:

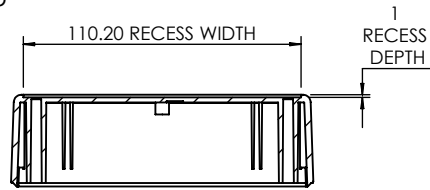
SCALE: 1:2

SHEET 1 OF 1

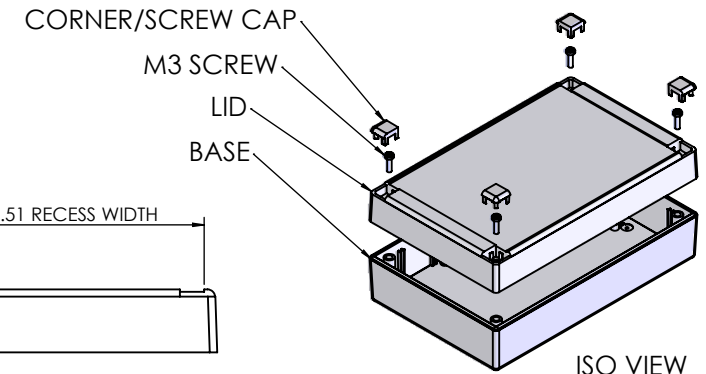
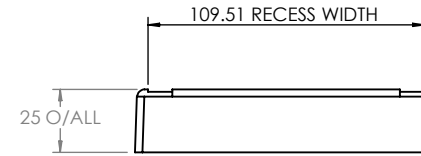
OVERALL ASSEMBLY DIMENSIONS:

EXTERNAL - 190 x 120 x 60

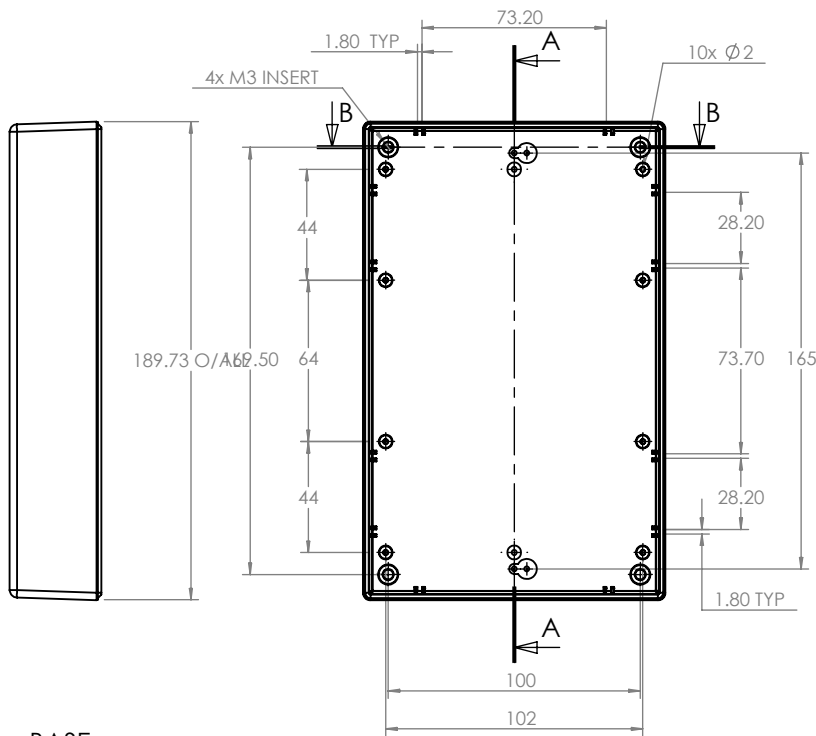
INTERNAL - 185 x 115 x 73.5



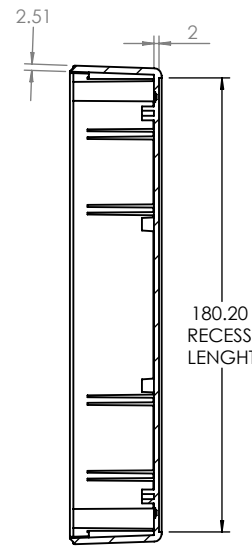
SECTION B-B



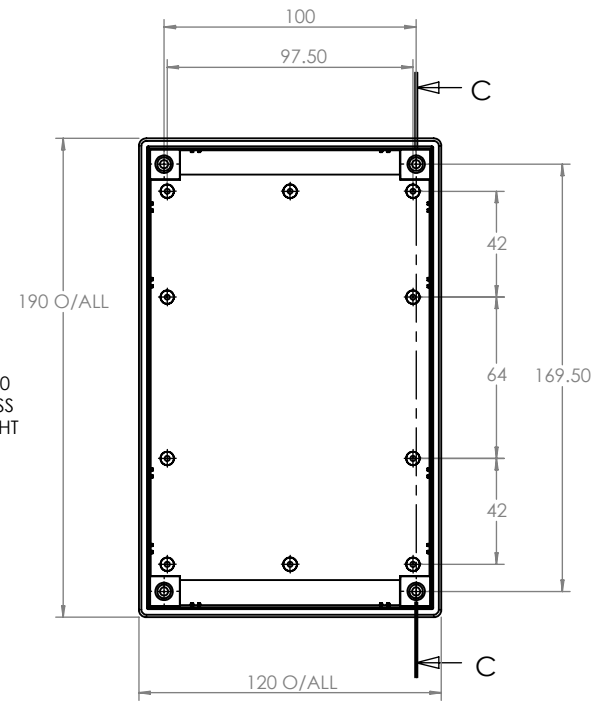
ISO VIEW
1:5



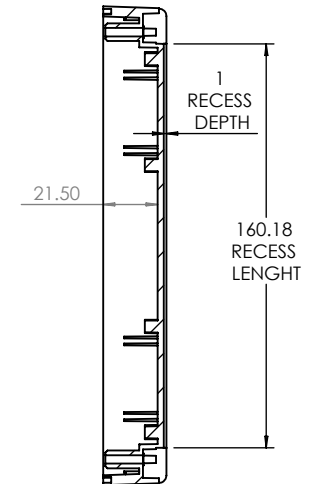
BASE



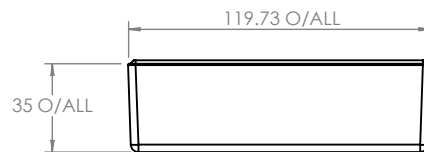
SECTION A-A



SECTION C-C



LID



UNLESS OTHERWISE SPECIFIED:
DIMENSIONS ARE IN MILLIMETERS

DO NOT SCALE DRAWING

REVISION: ○

GENERAL TOLERANCES +/- 0.2

TITLE: ASSEMBLY DRG FOR RECESS
DESIGNER CASE SIZE 7 GREY

FINISH:
LIGHT SPARK

DWG NO. CRDCG0007

A4

DRAWN	NAME	SIGNED	DATE	MATERIAL.
IAN PAGANO	IAN PAGANO	I.P.	24/09/13	UL - 94 HB ABS

SCALE: 1:3

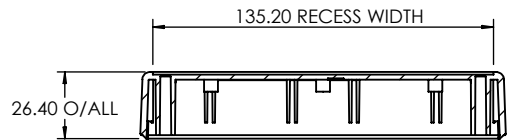
SHEET 1 OF 1

PROJECTION:

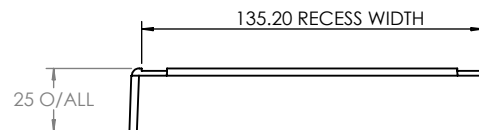
OVERALL ASSEMBLY DIMENSIONS:

EXTERNAL - 220 x 145 x 50

INTERNAL - 215 x 140 x 43.5



SECTION B-B

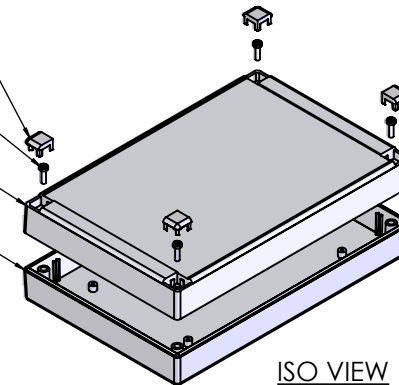


CORNER/SCREW CAP

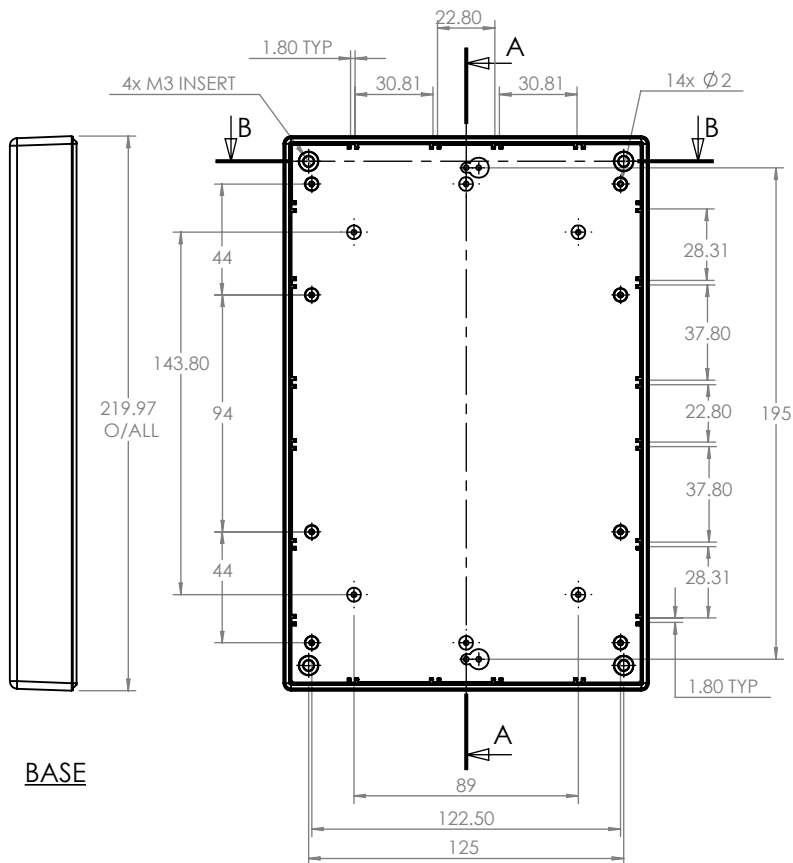
M3 SCREW

LID

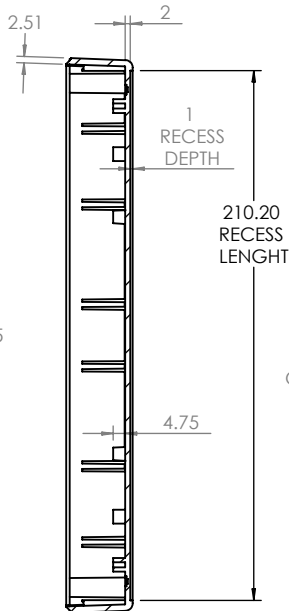
BASE



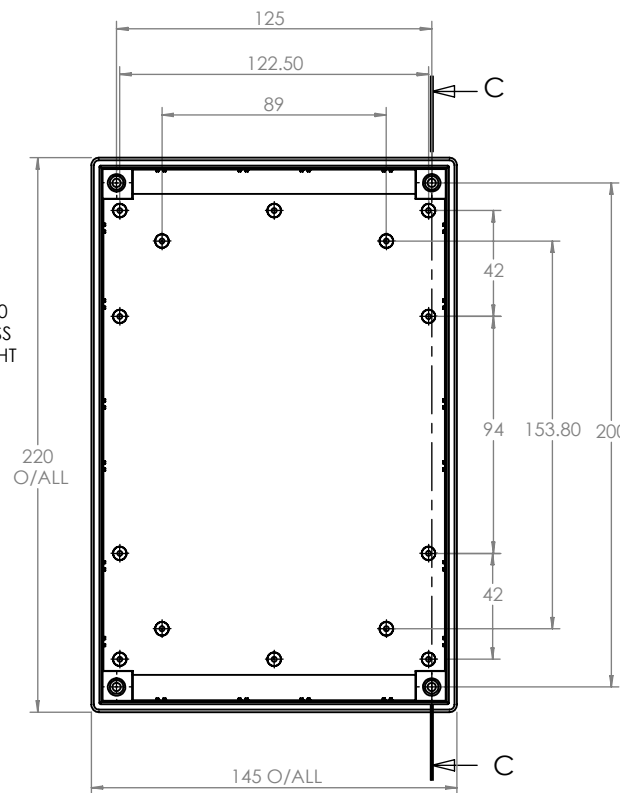
ISO VIEW
1:5



BASE

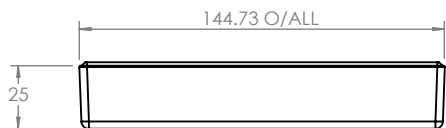
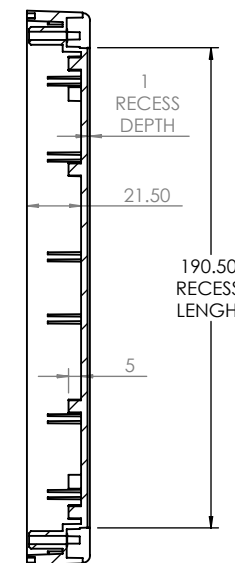


SECTION A-A



LID

SECTION C-C



UNLESS OTHERWISE SPECIFIED:
DIMENSIONS ARE IN MILLIMETERS

GENERAL TOLERANCES +/- 0.2

FINISH:
LIGHT SPARK

MATERIAL:
UL - 94 HB ABS

PROJECTION:

DO NOT SCALE DRAWING

REVISION:

TITLE:
ASSEMBLY DRG FOR RECESS
DESIGNER CASE SIZE 8 GREY

DWG NO. CRDCG0008

A4

DRAWN	NAME	SIGNED	DATE
IAN PAGANO	I.P.	24/09/13	
CHKD	-	-	-

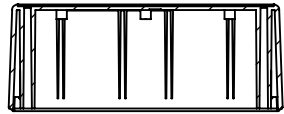
SCALE: 1:3

SHEET 1 OF 1

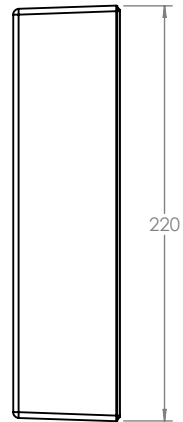
OVERALL ASSEMBLY DIMENSIONS:

EXTERNAL - 220 x 145 x 80

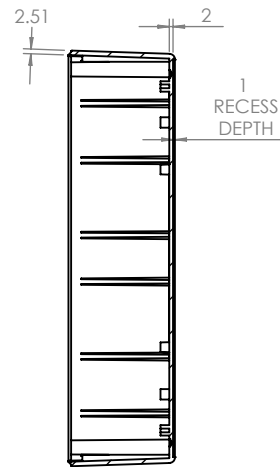
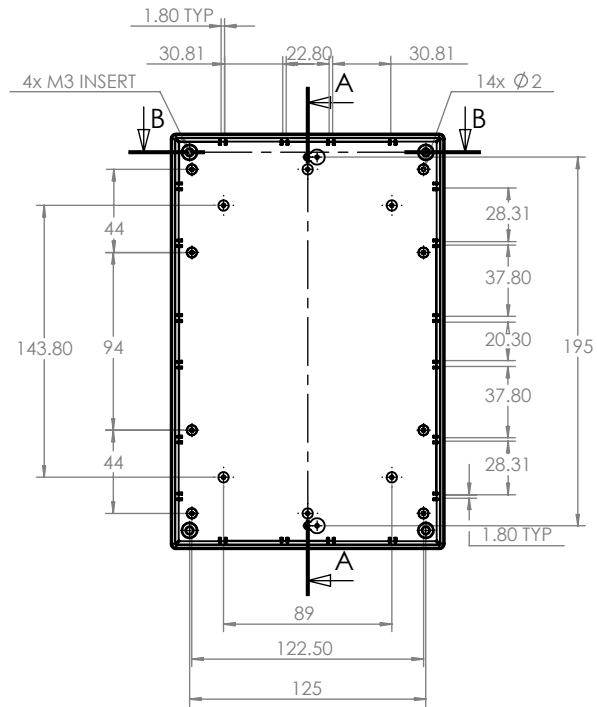
INTERNAL - 215 x 140 x 73.5



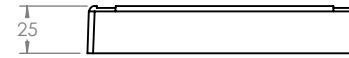
SECTION B-B



BASE



SECTION A-A

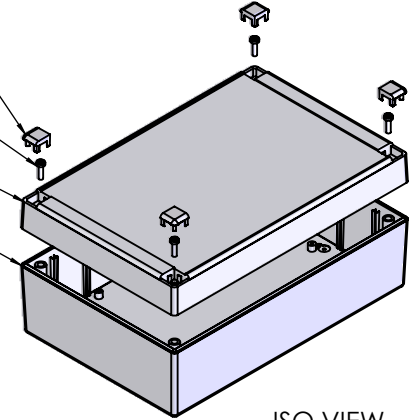


CORNER/SCREW CAP

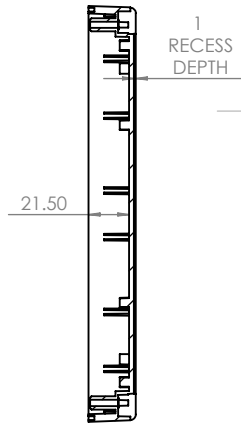
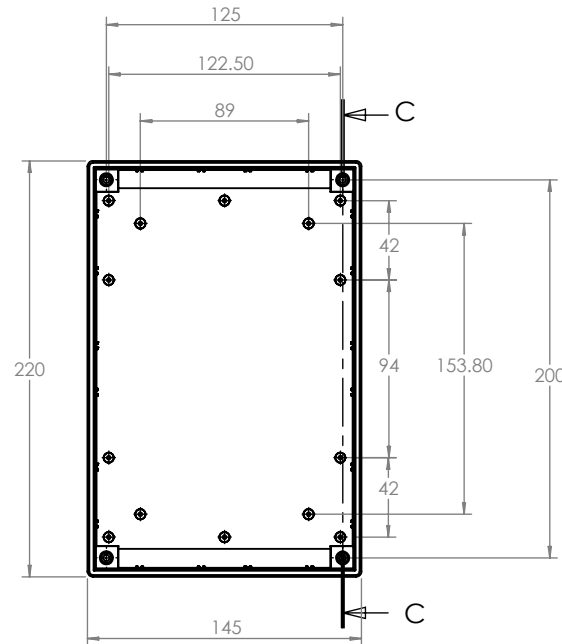
SCREW

LID

BASE

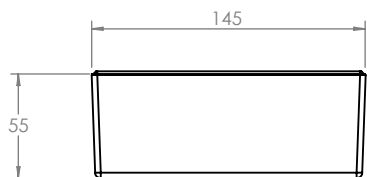


ISO VIEW
1:5



SECTION C-C

LID



UNLESS OTHERWISE SPECIFIED:
DIMENSIONS ARE IN MILLIMETERS

GENERAL TOLERANCES +/- 0.2

FINISH:
LIGHT SPARK

MATERIAL:
UL - 94 HB ABS

PROJECTION.

DO NOT SCALE DRAWING

REVISION.

TITLE: ASSEMBLY DRG FOR RECESS DESIGNER CASE SIZE 9 GREY

DWG NO. CRDCG0009

A4

DRAWN	NAME	SIGNED	DATE
IAN PAGANO	I.P.	24/09/13	

CHKD	NAME	SIGNED	DATE
-	-	-	-

SCALE: 1:4

SHEET 1 OF 1