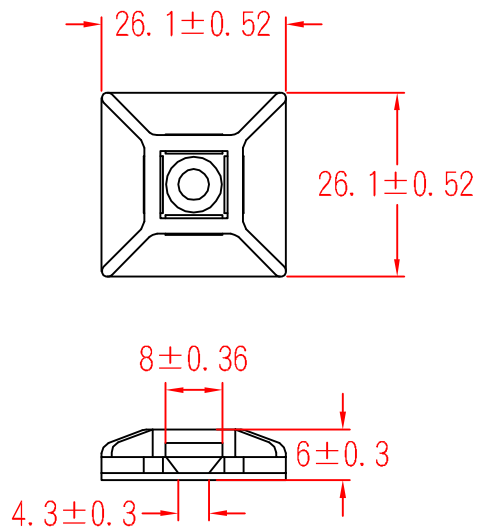


# HC-25BK



KSS  
96.09.04

KSS  
96.09.04

MATERIAL: UL 94V-2  
NYLON 66

ITEM NO.  
HC-25BK

SCALE

FINISH

NAME

SELF ADHESIVE TIE MOUNT



(. .)

TOLERANCE  
AS FIGURE



09-04-2007  
DATE

REVISIONS K001

R.NO.

