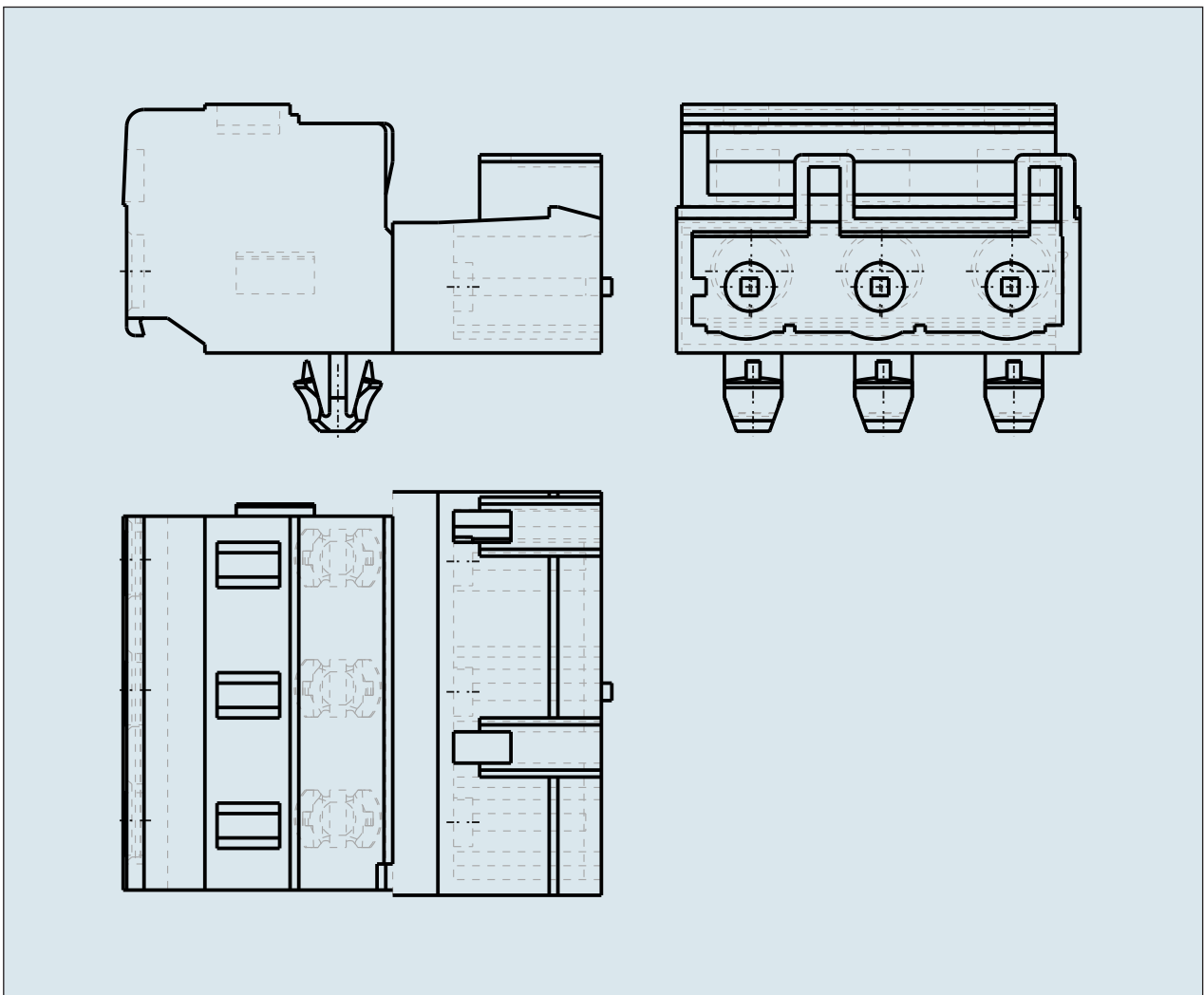
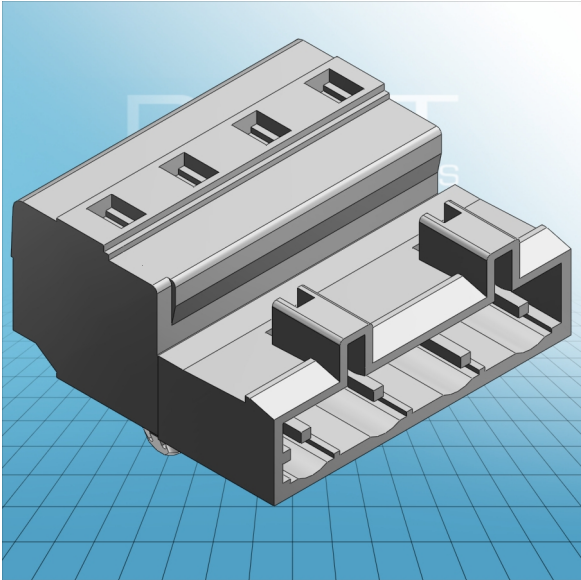


**MALE CONNECTOR WITH SNAP-IN
MOUNTING FOOT 3 POLE PIN
SPACING 7.5 MM / 0.295 IN 100%
PROTECTED AGAINST MISMATING**



**MALE CONNECTOR WITH SNAP-IN
MOUNTING FOOT 3 POLE PIN
SPACING 7.5 MM / 0.295 IN 100%
PROTECTED AGAINST MISMATING
WITH PRECEDING EARTH CONTACT
723-603/018-042 TO 723-605/018-042**

ITEM-NO. (ITEM-NO.)	723-604/018-042
Cross section1 (Cross section / mm²)	0.08 - 2.5
Cross section2 (Cross section / AWG)	28 - 12
Strip length (Strip length / mm)	8 - 9
Measured voltage (Measured voltage / V)	630
Measured shock voltage (Measured shock voltage / kV)	6
Pollution degree (Pollution degree)	2
Current intensity (Current intensity / A)	12
RM (PIN SPACING / mm)	7.5
P (NO. OF POLES)	4
Height (Height / mm)	14.3
Width (Width / mm)	30.7
Depth (Depth / mm)	27.5
No. of connection Points (No. of connection Points)	4
No. of potentials (No. of potentials)	4
COLOR (COLOR)	lichtgrau
WEIGHT (WEIGHT / g)	7.64
Comment (Comment)	A = (No. of poles - 1) x Pin Spacing + 5 mm + 3,2 mm B = A - 1,7 mm C = A -1,2 mm