



**Screw Fixing Mounts**

- LKM / CL with curved design for sideways fixing
- FH for sideways fixing

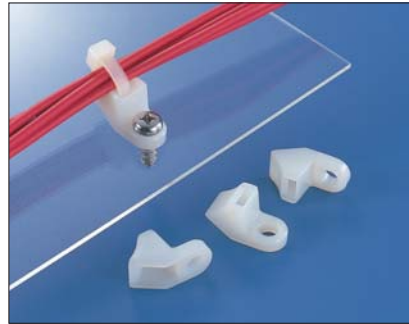
**Features and Benefits**

With these screwfix mounts it is possible to install the cable sideways. The FH mounts feature a compact design.

The CL8/LKM mounts are ideal for securing large, heavier bundles and will accept cable ties up to 8mm wide.

**Application**

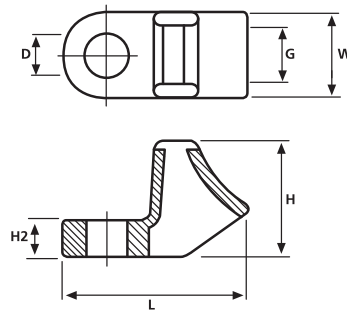
In areas with limited space these mounting bases allow the cable to be offset from the fixing hole, and can be installed in the equipment prior to the cable installation. A major cost saving can be made by using these products as many different sizes of standard cable ties can be used, reducing the need to stock a wide range of specific fixing ties.



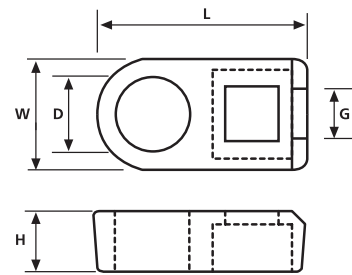
LKM/CL8 Cable Tie Mounts.



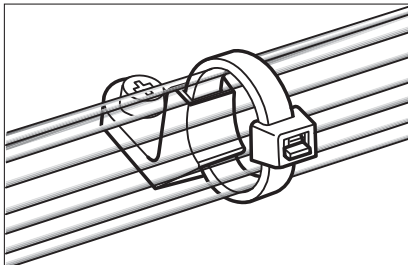
FH Cable Tie Mounts.



LKM/CL8 Cable Tie Mounts



FH Cable Tie Mounts



LKM/CL8 Cable Tie Mounts

**Material Data**

Material	<b>Polyamide 6.6 (PA66)</b>
Operating Temperature	<b>-40 °C to +85 °C Continuous, (+105 °C for 500 h)</b>
Flammability	<b>UL94 V2</b>



**Material Data**

Material	<b>Polyamide 6.6 UV Resistant (PA66W)</b>
Operating Temperature	<b>-40 °C to +85 °C Continuous, (+105 °C for 500 h)</b>
Flammability	<b>UL94 V2</b>



**Technical Table**

Article-No.	Type	Length (L)	Width (W)	Height (H)	Height (H2)	Fixing Hole Ø (FH)	Strap Width max. (G)	Material	Colour
151-26819	CL8	27.3	12.5	16.0	5.0	6.5	8.0	PA66	Natural (NA)
151-26860	CL8	27.3	12.5	16.0	5.0	6.5	8.0	PA66W	Black (BK)
151-26301	LKM	27.0	12.0	16.0	5.0	6.0	7.6	PA66	Black (BK)
151-26304	LKM	27.0	12.0	16.0	5.0	6.0	7.6	PA66	Natural (NA)
151-61119	FH18	13.3	7.1	4.0	–	3.7	2.5	PA66	Natural (NA)
151-61319	FH30	17.9	9.5	4.7	–	5.5	3.5	PA66	Natural (NA)
151-61519	FH50	22.2	11.3	6.2	–	7.1	4.6	PA66	Natural (NA)

All dimensions in mm. Subject to technical changes.