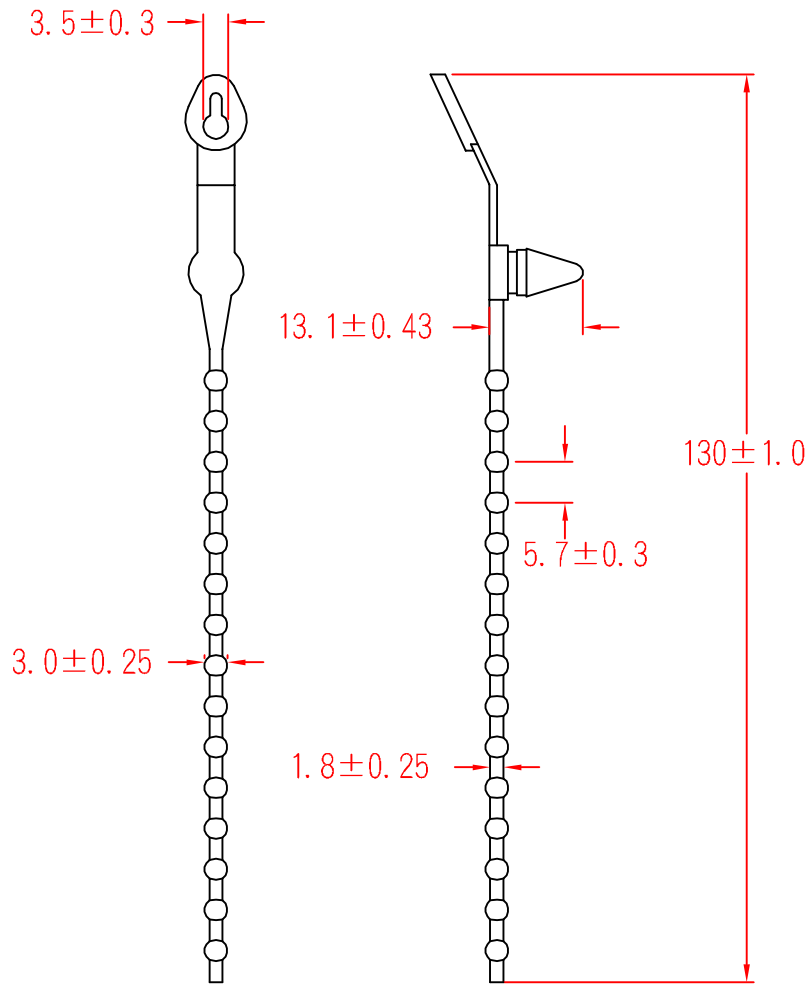


# STV-130RD7



		MATERIAL	UL 94V-2	ITEM NO.	STV-130RD7	
			NYLON 66			
SCALE		FINISH		NAME	COLLECT TIE	
$\triangle$	( . . )	TOLERANCE AS FIGURE		$\triangle$	08-20-2007 DATE	REVISIONS K001
						R.NO.

