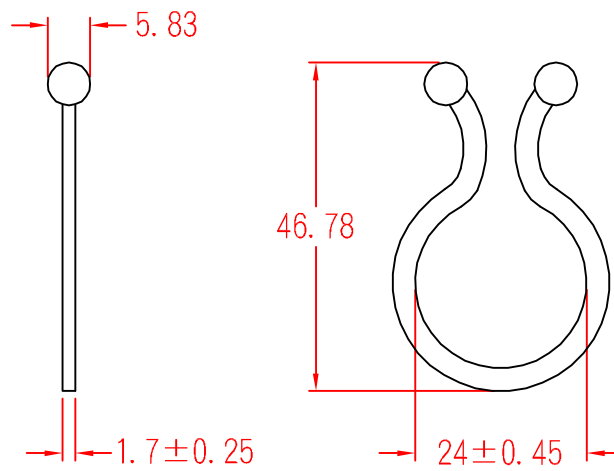


# TT-24



		MATERIAL	UL 94V-2	ITEM NO.	TT-24	
			NYLON 66			
SCALE		FINISH		NAME	TWIST TIE	
△	(. .)	TOLERANCE	$\pm 0.5\text{mm}$	△	03-28-1996	REVISIONS K001
				DATE		R.NO.

