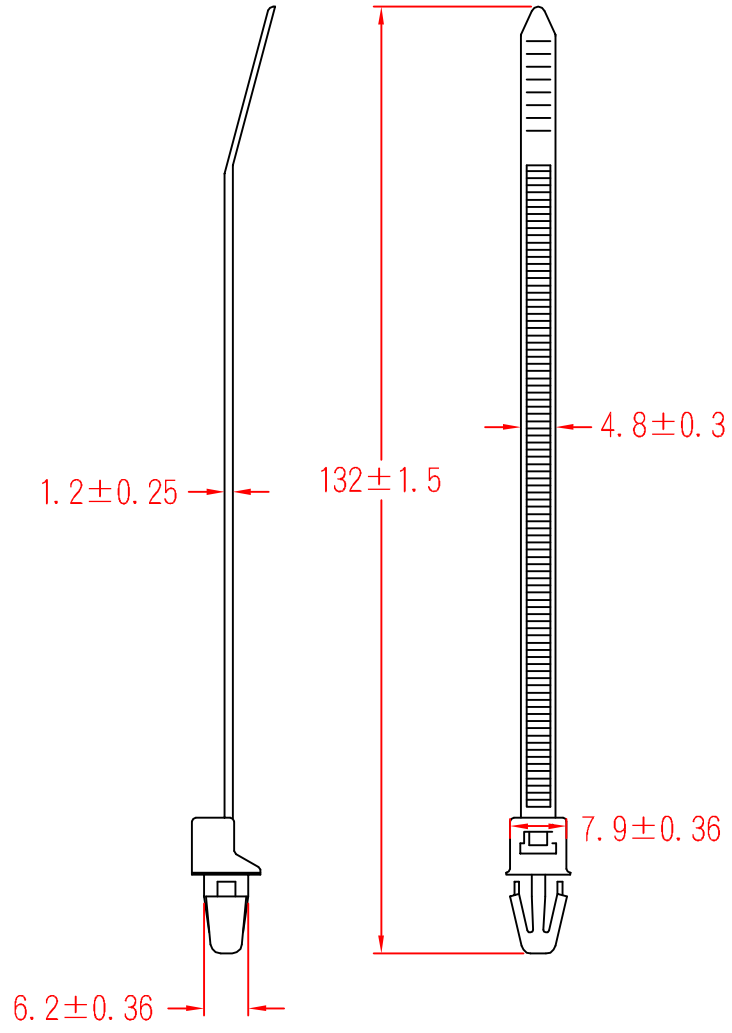




# PSV-130



To fit 6.4mm hole  
chassis 3.0mm



MATERIAL: UL 94V-2  
NYLON 66

ITEM NO. PSV-130

SCALE

FINISH

NAME

PUSH MOUNT TIE



( . . )

TOLERANCE  $\pm 0.5\text{mm}$



08-08-2008  
DATE

REVISIONS K001

R.NO.

