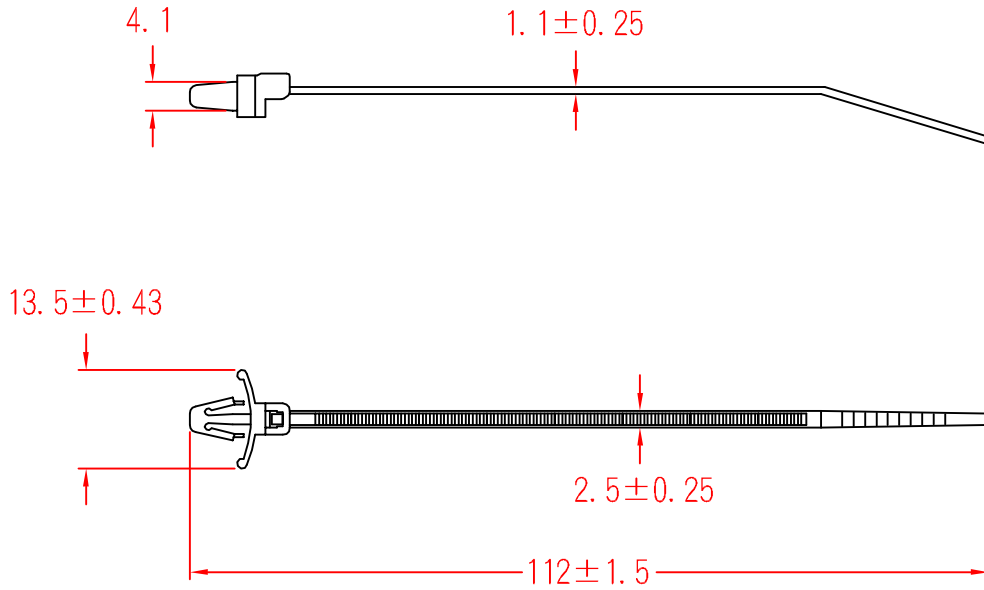




PWVS-100



To fit 4.6mm hole
chassis 2.6mm



MATERIAL: UL 94V-2
NYLON 66

ITEM NO.
PWVS-100

SCALE

FINISH

NAME

PUSH MOUNT TIE



(. .)

**TOLERANCE
AS FIGURE**



08-08-2008
DATE

REVISIONS **K001**

R.NO.

