



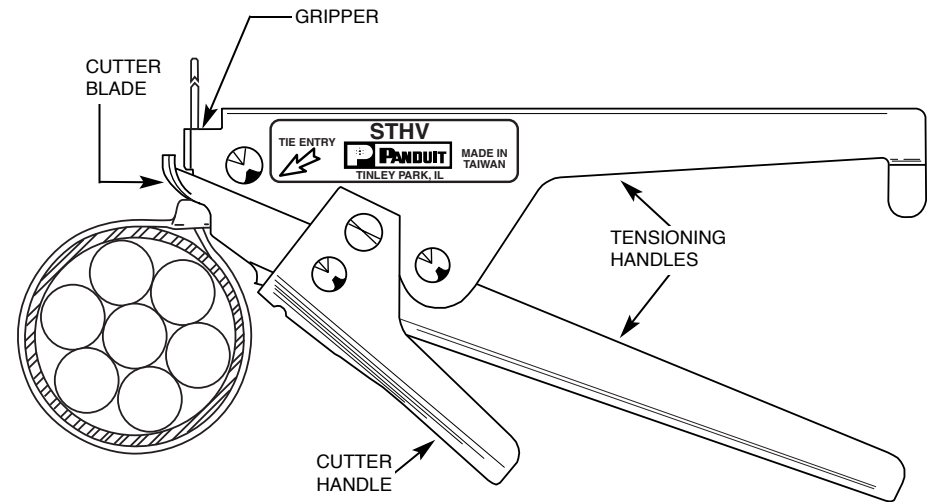
© Panduit Corp. 2006

CABLE TIE INSTALLATION TOOL

Part No. STHV

FOR INSTALLING:
PAN-TY AND DOME-TOP Barb Ty Nylon Cable Ties of
Light-Heavy (LH), and Heavy (H) cross sections.

READ OPERATION INSTRUCTIONS BEFORE USING



NOT INTENDED FOR MEDICAL USE.

User is responsible to determine suitability of
product for intended use.

NOTE: This precision tool has been engineered and designed for use with *PANDUIT* nylon cable ties up to .35" wide. It is not intended for other uses such as cutting or tensioning wires or other types of fastening devices.

TOOL MAINTENANCE

This tool requires no special operator maintenance.

OPERATION INSTRUCTIONS

1. Loop cable tie around bundle as shown and insert tip up through head. Pull tie up snug on bundle by hand.
2. Place tool on tie as shown.
3. Squeeze tensioning handles as necessary to tighten tie to desired tension. (Do not overtighten tie.)
4. Release handle pressure to the minimum necessary to hold nose against tie head and squeeze cutter handle to cut off tail from tie.

TROUBLESHOOTING

If tie is breaking when applied, check to see that the ties are not being overly tightened.



Website: www.panduit.com
E-mail: cs@panduit.com

Panduit Corp., USA
Technical Support: 888-506-5400, ext. 3255
Fax: 630-759-7532
PANDUIT Europe, Westgate, London UK
England Tel.: 208 601 7200
Fax.: 208 601 7209