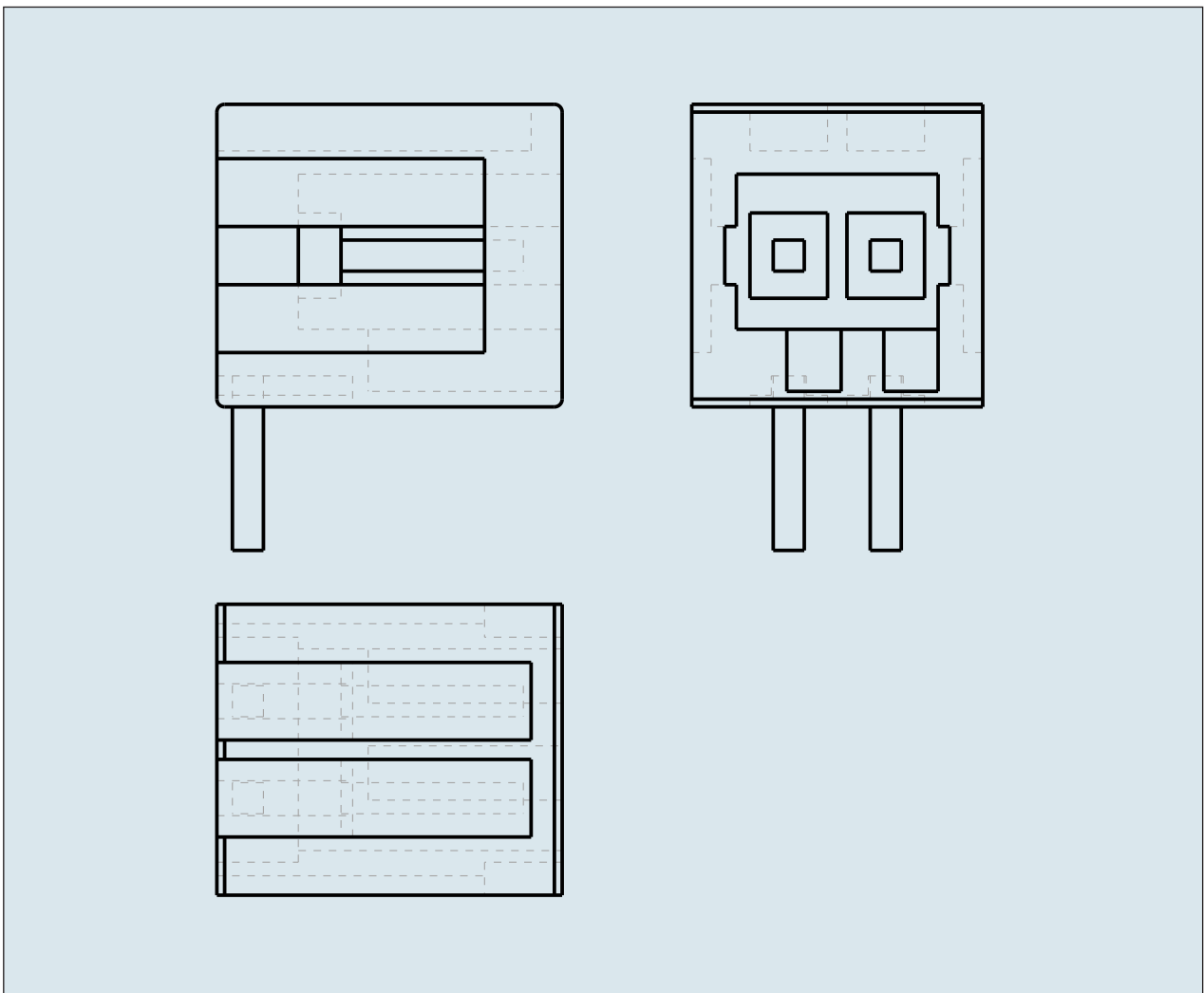
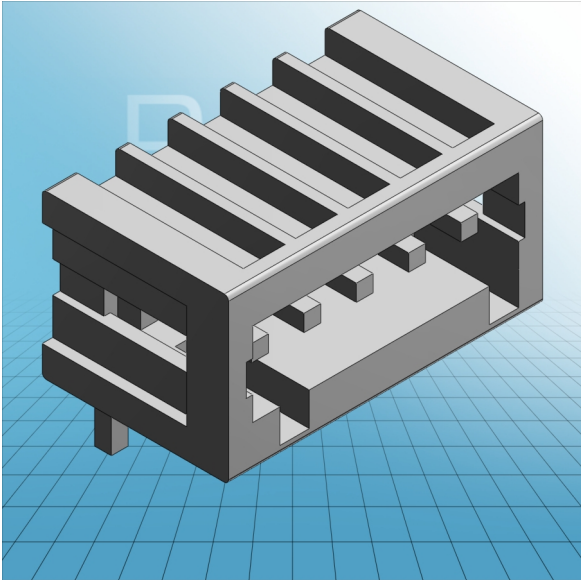


**HEADER RIGHT ANGLE SOLDER PIN**  
**0.8x0.8 MM PIN SPACING 2.5 MM / 0.**  
**098 IN 100% PROTECTED AGAINST**  
**MISMATING**



**HEADER RIGHT ANGLE SOLDER PIN  
0.8x0.8 MM PIN SPACING 2.5 MM / 0.  
098 IN 100% PROTECTED AGAINST  
MISMATING**

733-362 TO 733-372

<b>ITEM-NO. (ITEM-NO.)</b>	733-365
<b>Measured voltage (Measured voltage / V)</b>	160
<b>Measured shock voltage (Measured shock voltage / kV)</b>	2.5
<b>Pollution degree (Pollution degree)</b>	2
<b>Current intensity (Current intensity / A)</b>	6
<b>RM (PIN SPACING / mm)</b>	2.5
<b>P (NO. OF POLES)</b>	5
<b>Height (Height / mm)</b>	7.8
<b>Width (Width / mm)</b>	15
<b>Depth (Depth / mm)</b>	8.9
<b>COLOR (COLOR)</b>	lichtgrau
<b>Comment (Comment)</b>	L = (No. of poles + 1) x Pin Spacing
<b>Dimensions (Dimensions)</b>	1,1 +0,1 mm
<b>RGB (RGB)</b>	0.82,0.82,0.82,0