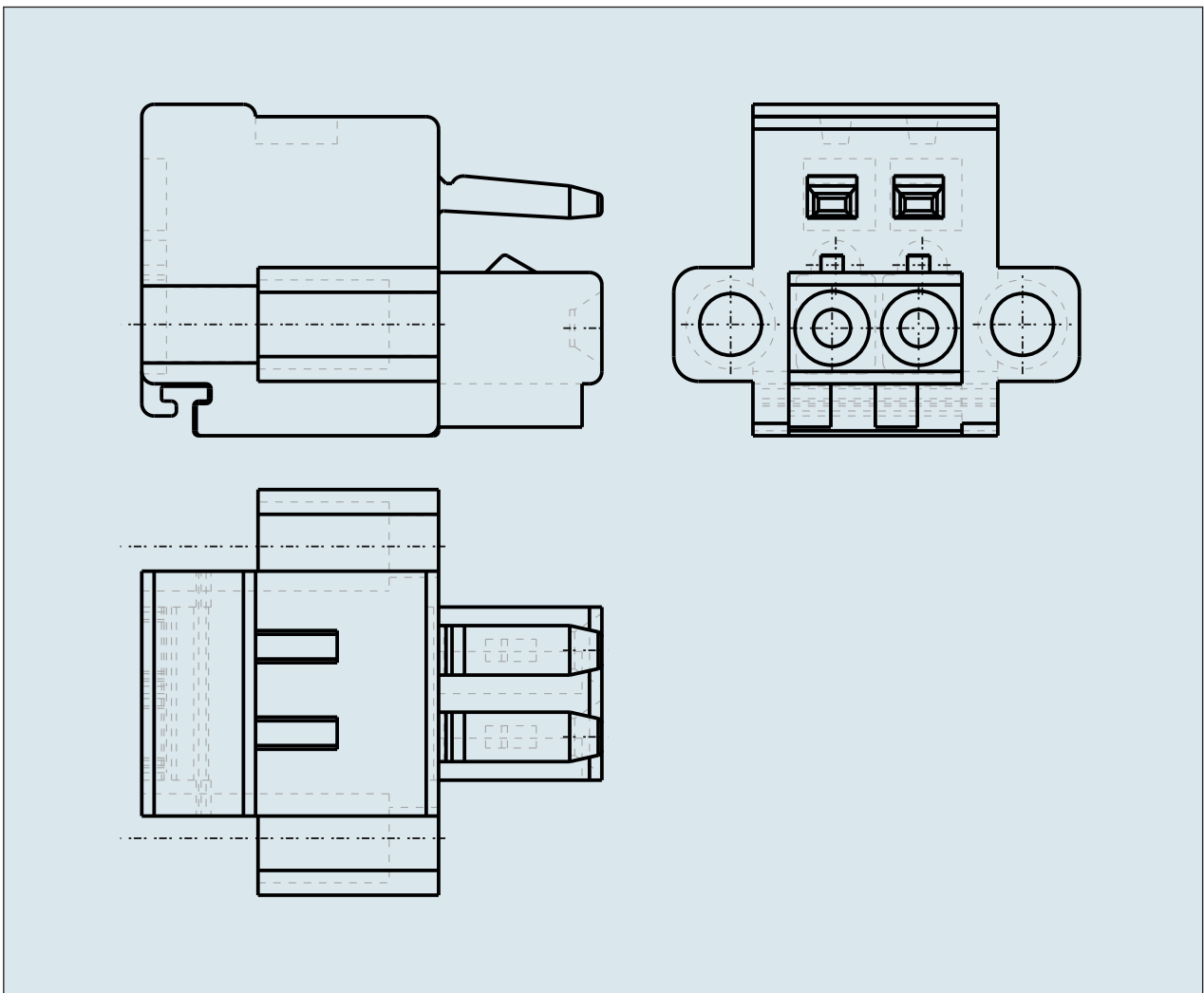
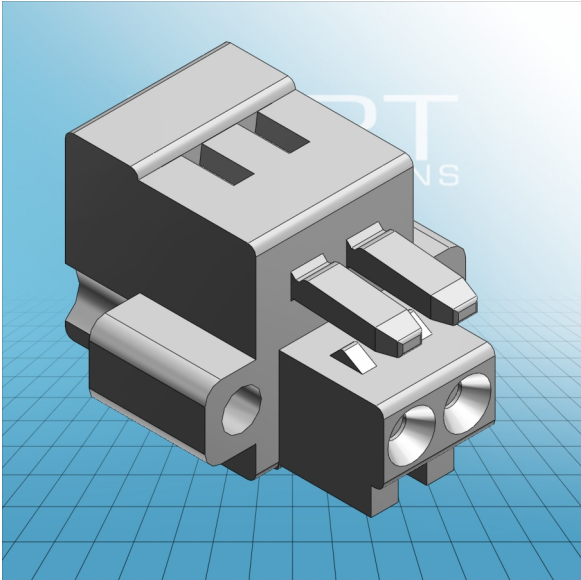


**FEMALE PLUG WITH SCREW
FLANGES PIN SPACING 3.5 MM / 0.
138 IN 100% PROTECTED AGAINST
MISMATING**



**FEMALE PLUG WITH SCREW
FLANGES PIN SPACING 3.5 MM / 0.
138 IN 100% PROTECTED AGAINST
MISMATING**

734-102/107-000 TO 734-124/107-000

| | |
|---|--|
| ITEM-NO. (ITEM-NO.) | 734-102/107-000 |
| Cross section1 (Cross section / mm²) | 0.08 - 1.5 |
| Cross section2 (Cross section / AWG) | 28 - 14 |
| Strip length (Strip length / mm) | 7 |
| Measured voltage (Measured voltage / V) | 160 |
| Measured shock voltage (Measured shock voltage / kV) | 2.5 |
| Pollution degree (Pollution degree) | 2 |
| Current intensity (Current intensity / A) | 10 |
| RM (PIN SPACING / mm) | 3.5 |
| P (NO. OF POLES) | 2 |
| Height (Height / mm) | 13.5 |
| Width (Width / mm) | 16.5 |
| Depth (Depth / mm) | 18.6 |
| No. of connection Points (No. of connection Points) | 2 |
| No. of potentials (No. of potentials) | 2 |
| COLOR (COLOR) | lichtgrau |
| Comment (Comment) | L1 = (No. of poles x Pin Spacing) + 4.9 mm L2 = (No. of poles x Pin Spacing) + 9.5 mm |