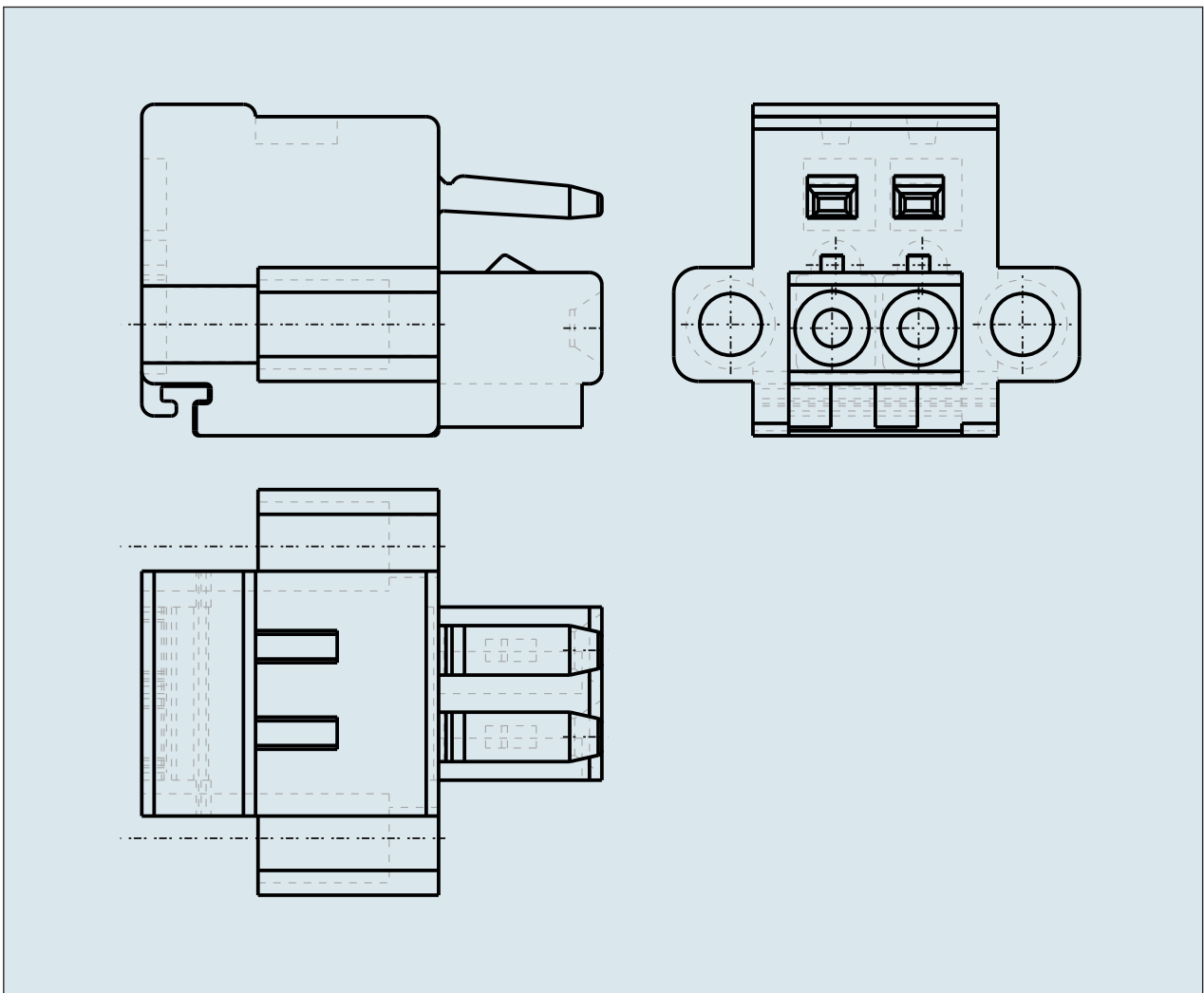
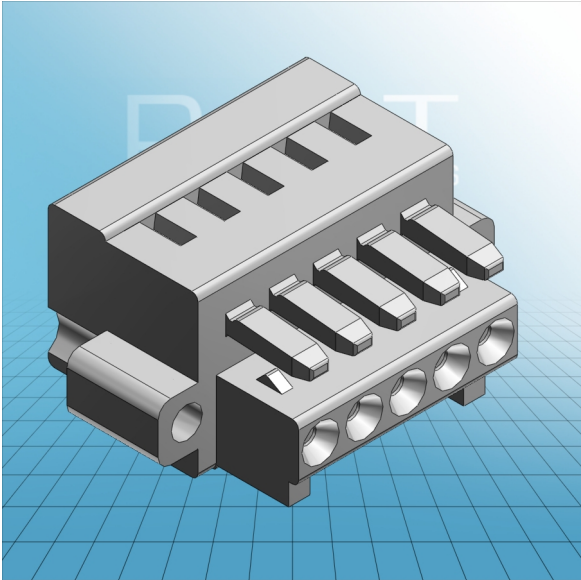


**FEMALE PLUG WITH SCREW
FLANGES PIN SPACING 3.5 MM / 0.
138 IN 100% PROTECTED AGAINST
MISMATING**



**FEMALE PLUG WITH SCREW
FLANGES PIN SPACING 3.5 MM / 0.
138 IN 100% PROTECTED AGAINST
MISMATING**

734-102/107-000 TO 734-124/107-000

ITEM-NO. (ITEM-NO.)	734-105/107-000
Cross section1 (Cross section / mm²)	0.08 - 1.5
Cross section2 (Cross section / AWG)	28 - 14
Strip length (Strip length / mm)	7
Measured voltage (Measured voltage / V)	160
Measured shock voltage (Measured shock voltage / kV)	2.5
Pollution degree (Pollution degree)	2
Current intensity (Current intensity / A)	10
RM (PIN SPACING / mm)	3.5
P (NO. OF POLES)	5
Height (Height / mm)	13.5
Width (Width / mm)	27
Depth (Depth / mm)	18.6
No. of connection Points (No. of connection Points)	5
No. of potentials (No. of potentials)	5
COLOR (COLOR)	lichtgrau
Comment (Comment)	L1 = (No. of poles x Pin Spacing) + 4.9 mm L2 = (No. of poles x Pin Spacing) + 9.5 mm