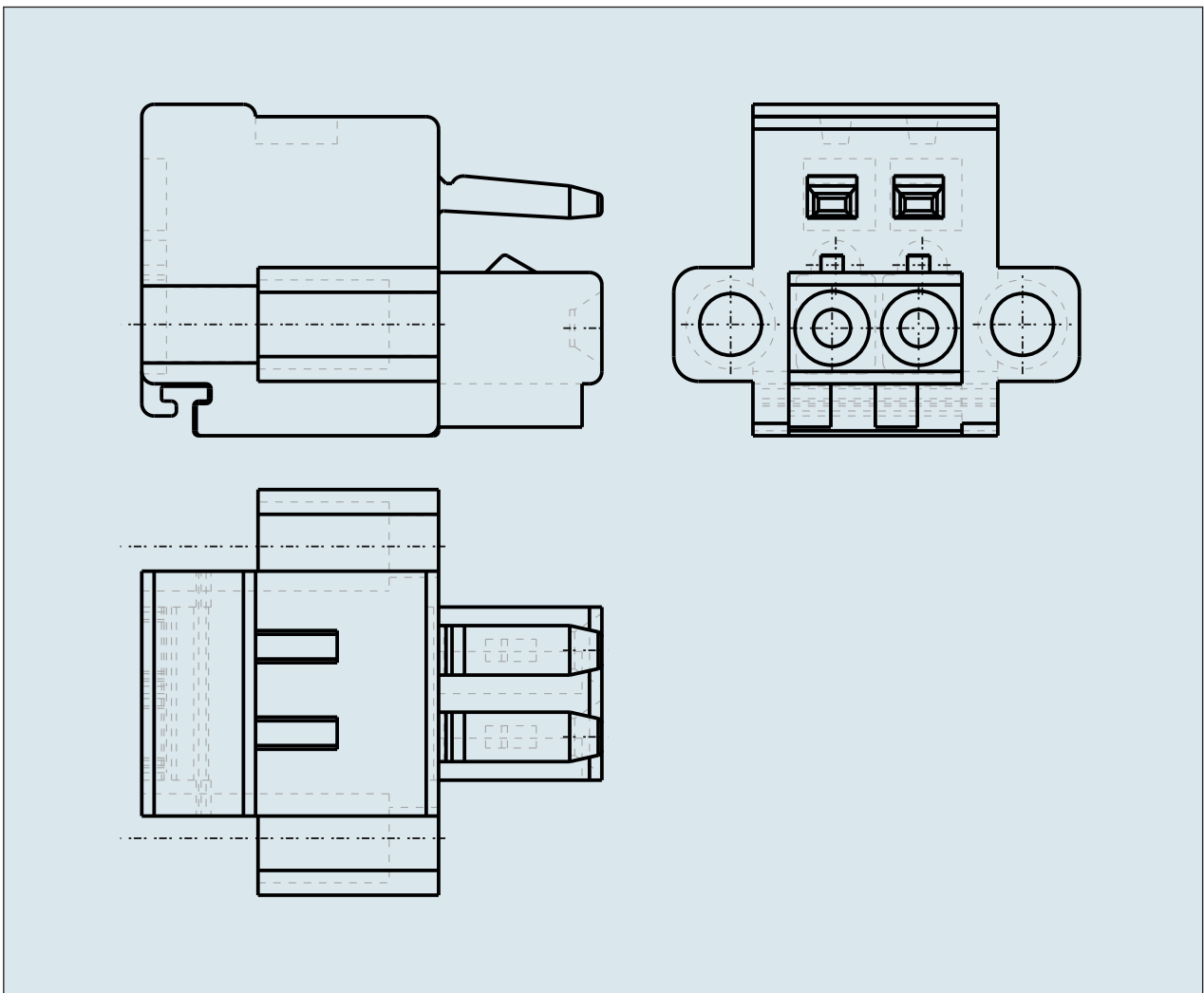
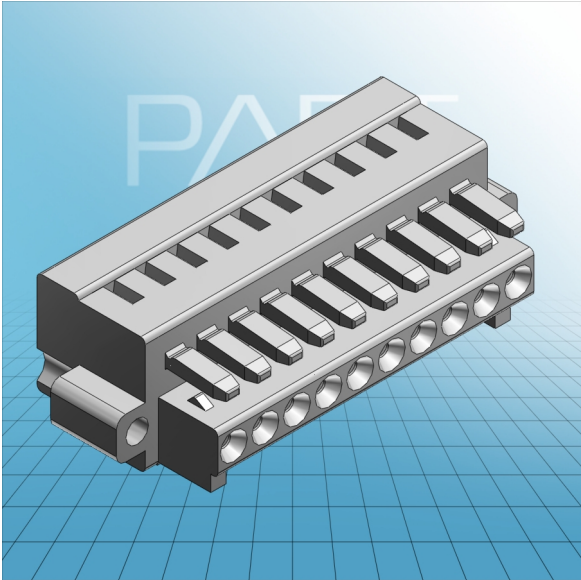


**FEMALE PLUG WITH SCREW  
FLANGES PIN SPACING 3.5 MM / 0.  
138 IN 100% PROTECTED AGAINST  
MISMATING**



**FEMALE PLUG WITH SCREW  
FLANGES PIN SPACING 3.5 MM / 0.  
138 IN 100% PROTECTED AGAINST  
MISMATING**

734-102/107-000 TO 734-124/107-000

<b>ITEM-NO. (ITEM-NO.)</b>	734-110/107-000
<b>Cross section1 (Cross section / mm<sup>2</sup>)</b>	0.08 - 1.5
<b>Cross section2 (Cross section / AWG)</b>	28 - 14
<b>Strip length (Strip length / mm)</b>	7
<b>Measured voltage (Measured voltage / V)</b>	160
<b>Measured shock voltage (Measured shock voltage / kV)</b>	2.5
<b>Pollution degree (Pollution degree)</b>	2
<b>Current intensity (Current intensity / A)</b>	10
<b>RM (PIN SPACING / mm)</b>	3.5
<b>P (NO. OF POLES)</b>	10
<b>Height (Height / mm)</b>	13.5
<b>Width (Width / mm)</b>	44.5
<b>Depth (Depth / mm)</b>	18.6
<b>No. of connection Points (No. of connection Points)</b>	10
<b>No. of potentials (No. of potentials)</b>	10
<b>COLOR (COLOR)</b>	lichtgrau
<b>Comment (Comment)</b>	L1 = (No. of poles x Pin Spacing) + 4.9 mm   L2 = (No. of poles x Pin Spacing) + 9.5 mm