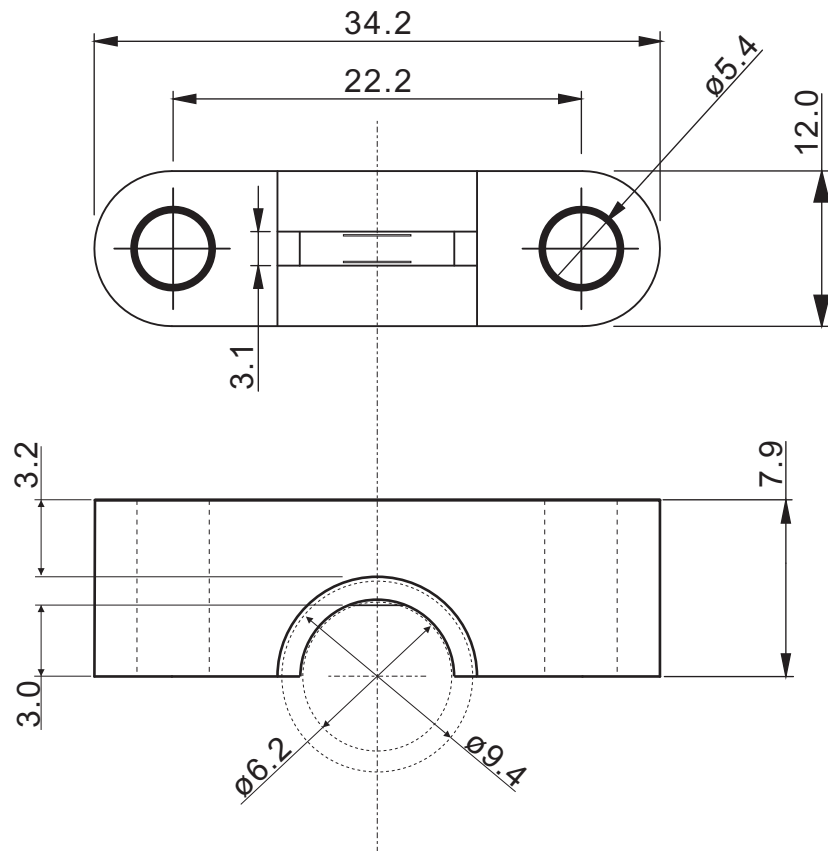


A B C D E F G H

1  
2  
3  
4  
5  
6



Material : Nylon 66  
 Flame class : 94v-2  
 Color : Black  
 Cable Bundle :  $\phi 4.5$ mm max.

DATE	REVISION	APPROVAL BY	DIMENSION	mm $\pm$ 0.3	Model	WCC-222BK
			DRAW BY	Oscar Wong	Name	Screw Mount Wire Clips $\phi 4.5$ mm
			APPROVAL BY	Rikki So	SUGO INDUSTRIAL CO., LTD.	
			DATE	30-09-2011	TEL : 852-27901280 FAX : 852-23890688 Email : sales@sugo.com.hk	