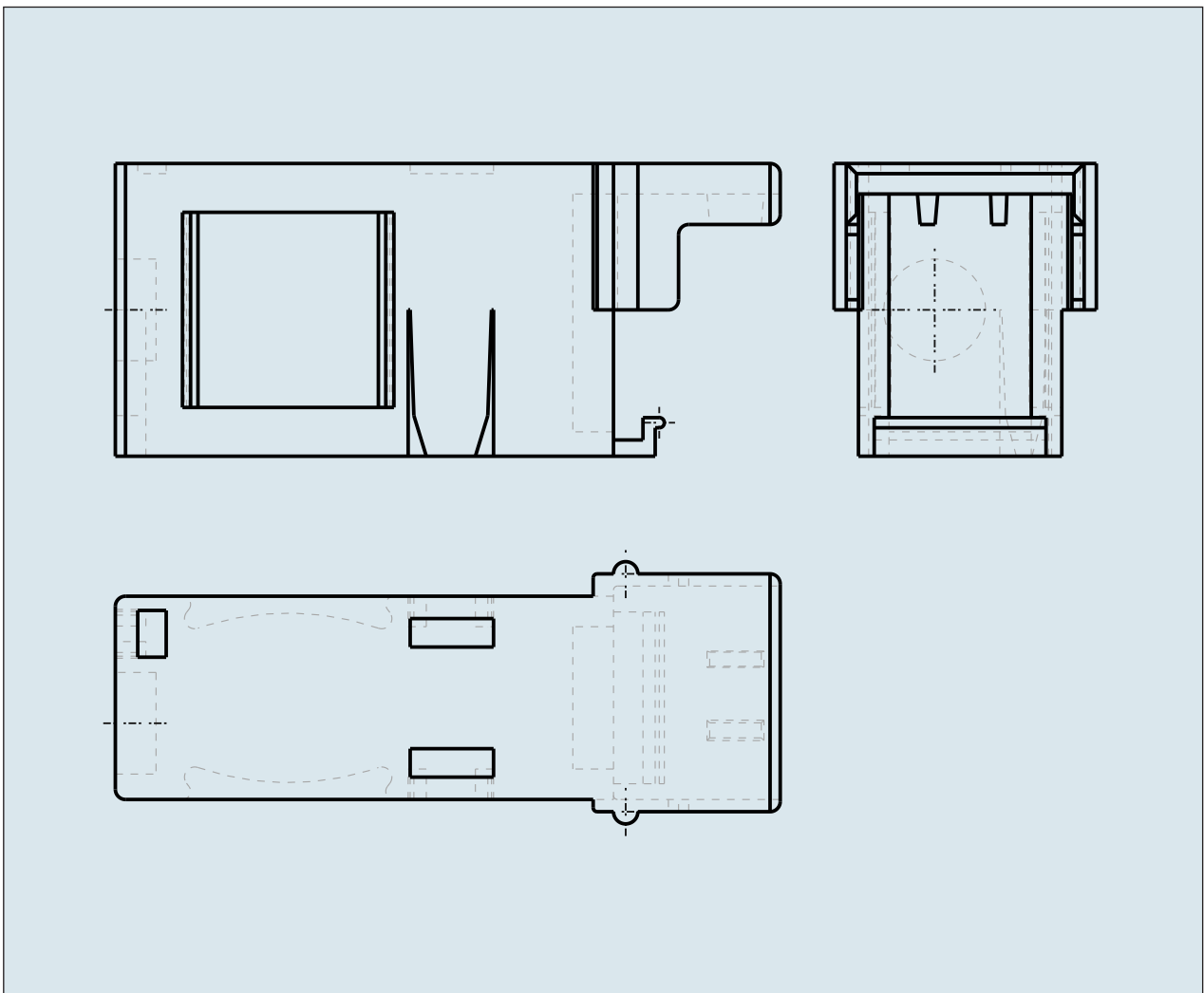
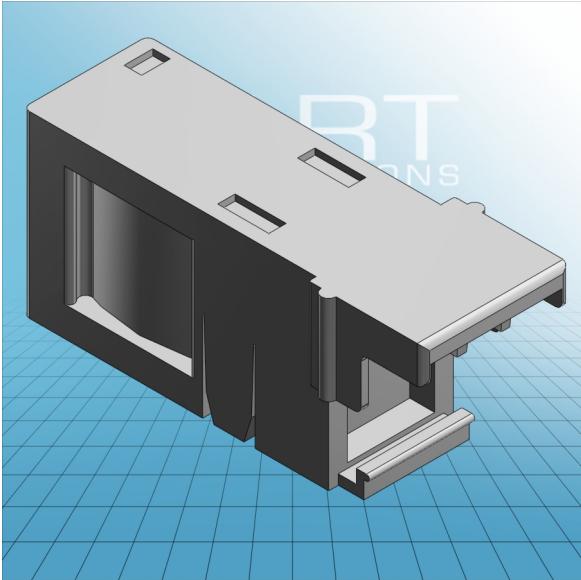


**SNAP-ON TYPE RELIEF HOUSING  
SUITABLE FOR PIN SPACING 3.5 MM /  
0.138 IN 2 POLE CONSISTING OF:  
STRAIN RELIEF SUPPORT/ HOUSING**





**SNAP-ON TYPE RELIEF HOUSING  
SUITABLE FOR PIN SPACING 3.5 MM /  
0.138 IN 2 POLE CONSISTING OF:  
STRAIN RELIEF SUPPORT/ HOUSING  
734-602**

**PDF DATASHEET**

© 1992 - 2011 | CADENAS GmbH

<b>ITEM-NO. (ITEM-NO.)</b>	734-602
<b>RM (PIN SPACING / mm)</b>	3.5
<b>P (NO. OF POLES)</b>	2
<b>Height (Height / mm)</b>	14.4
<b>Width (Width / mm)</b>	10
<b>Depth (Depth / mm)</b>	32.7
<b>COLOR (COLOR)</b>	lichtgrau
<b>WEIGHT (WEIGHT / g)</b>	1.84