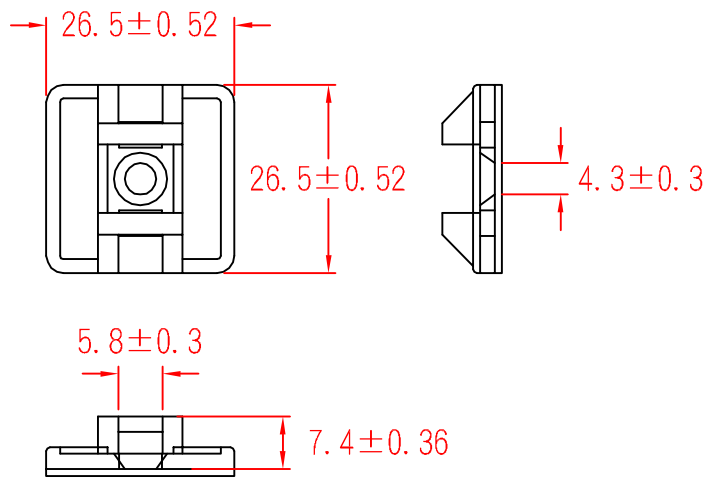


HC-26T



		MATERIAL	UL 94V-2	ITEM NO.	HC-26T	
			NYLON 66			
SCALE		FINISH		NAME	SELF ADHESIVE TIE MOUNT	
\triangle	(. .)	TOLERANCE AS FIGURE		\triangle	09-04-2007 DATE	REVISIONS K001
						R.NO.

