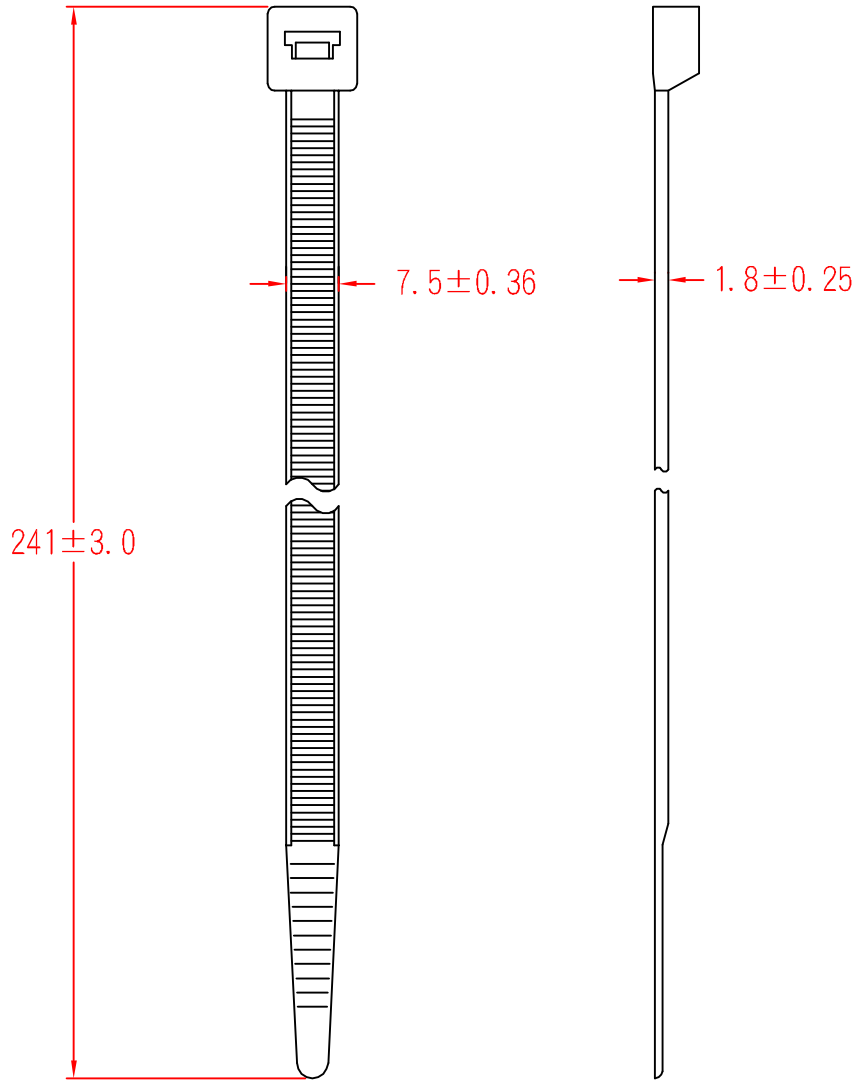




CV-240LW



		MATERIAL	UL 94V-2	ITEM NO.	CV-240LW	
			NYLON 66			
SCALE		FINISH		NAME	NYLON CABLE TIE	
\triangle	(. .)	TOLERANCE AS FIGURE		\triangle	03-22-2007 DATE	REVISIONS K001
						R.NO.

