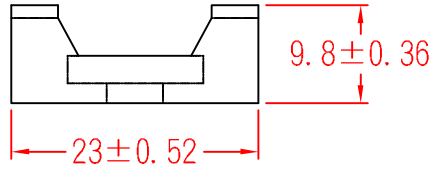
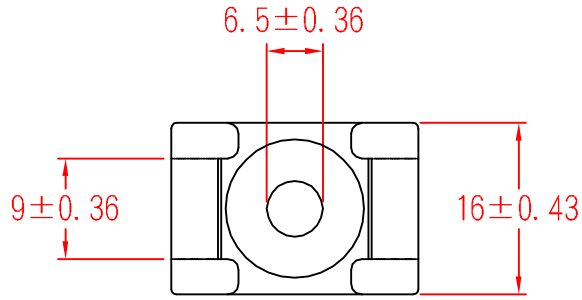


# HC-2L



		MATERIAL	UL 94V-2	ITEM NO.	HC-2L	
			NYLON 66			
SCALE		FINISH		NAME	SADDLE TYPE TIE MOUNT	
△	(. .)	TOLERANCE AS FIGURE		△	09-05-2007 DATE	REVISIONS K001
						R.NO.

