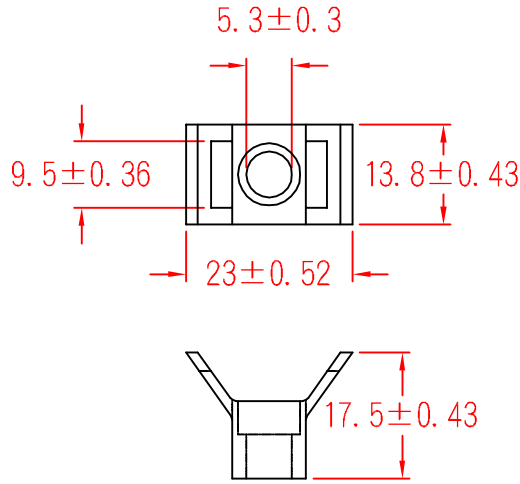


HC-3



| | | | | | | |
|-------------|-------|---------------------|----------|-------------|-----------------------|----------------|
| | | MATERIAL | UL 94V-2 | ITEM NO. | HC-3 | |
| | | | NYLON 66 | | | |
| SCALE | | FINISH | | NAME | SADDLE TYPE TIE MOUNT | |
| \triangle | (. .) | TOLERANCE AS FIGURE | | \triangle | 05-09-2006 DATE | REVISIONS K002 |
| | | | | | | R.NO. |

