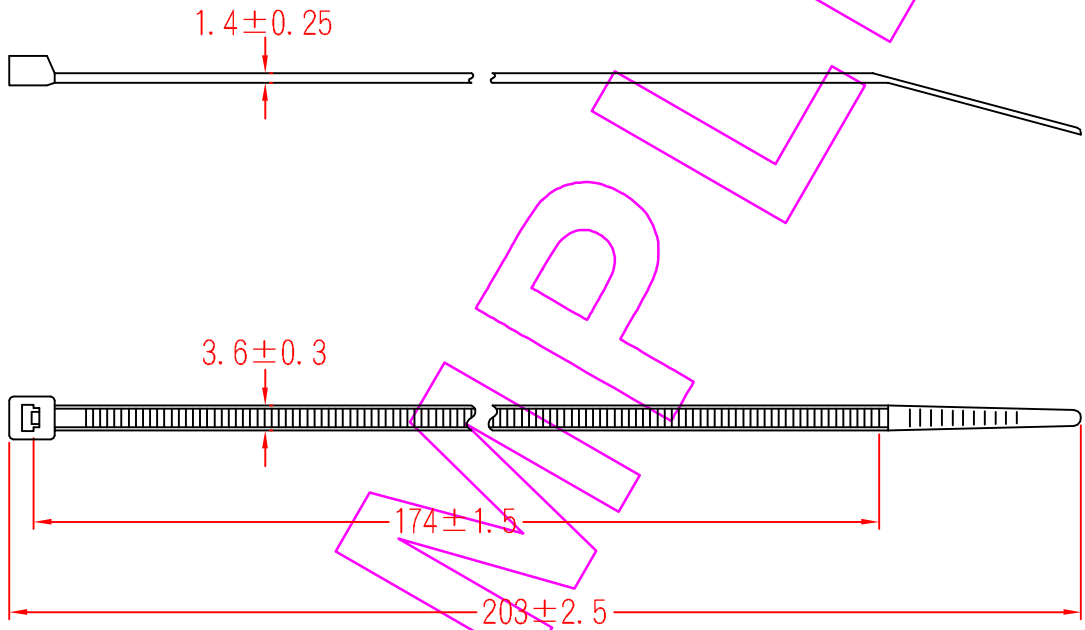




CV-200HS



MATERIAL: UL 94V-2

ITEM NO.

NYLON 66

CV-200HS

SCALE

FINISH

NAME

NYLON CABLE TIE



(. .)

TOLERANCE AS FIGURE



08-25-2009 DATE

REVISIONS K001

R.NO.

