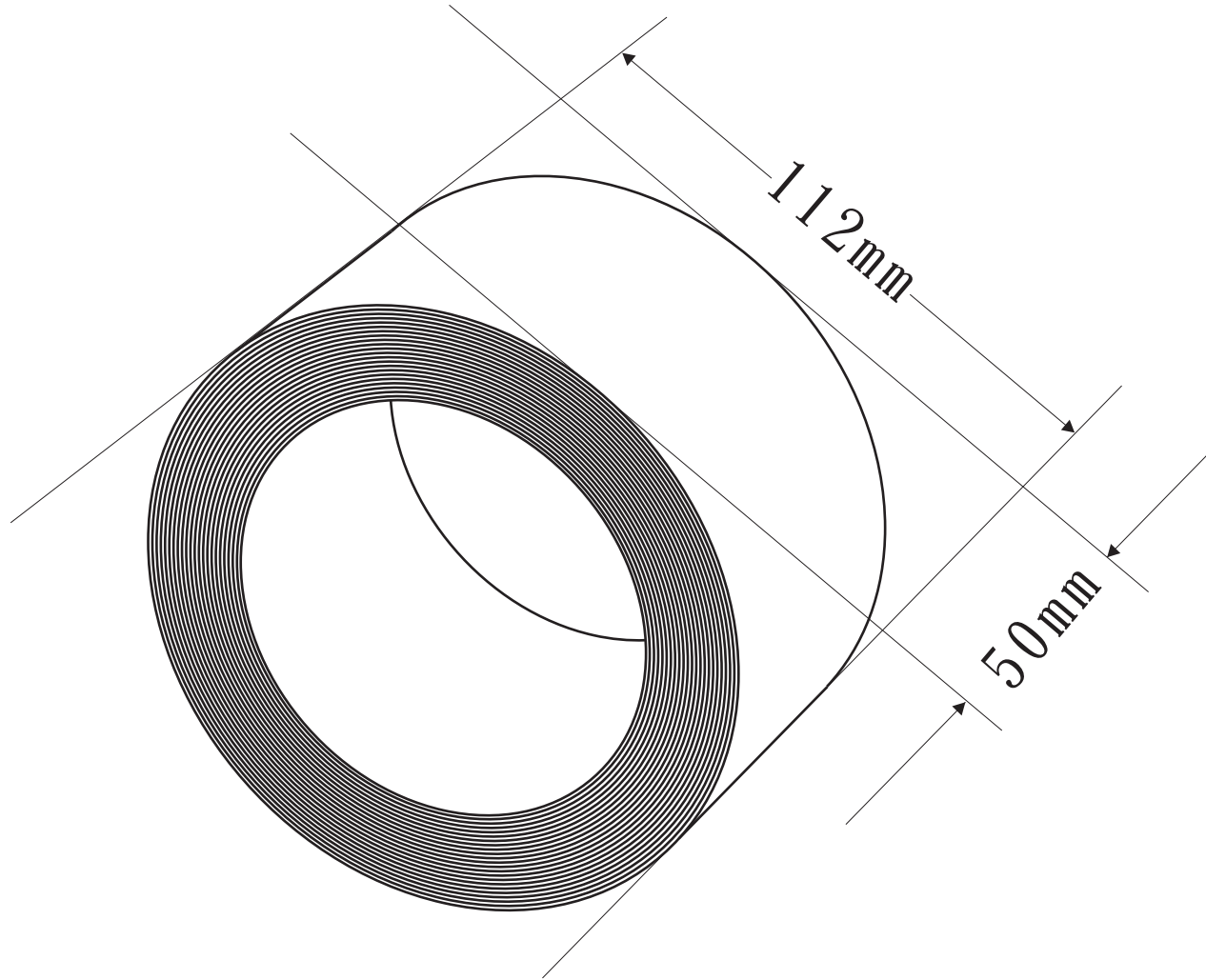


BN 54 50 31



Length: 5M

Color: Black

Material: PVC

Adhesive power: N/25mm

Tensile strength: N/25mm

Operating temperature: 10°C to 40°C