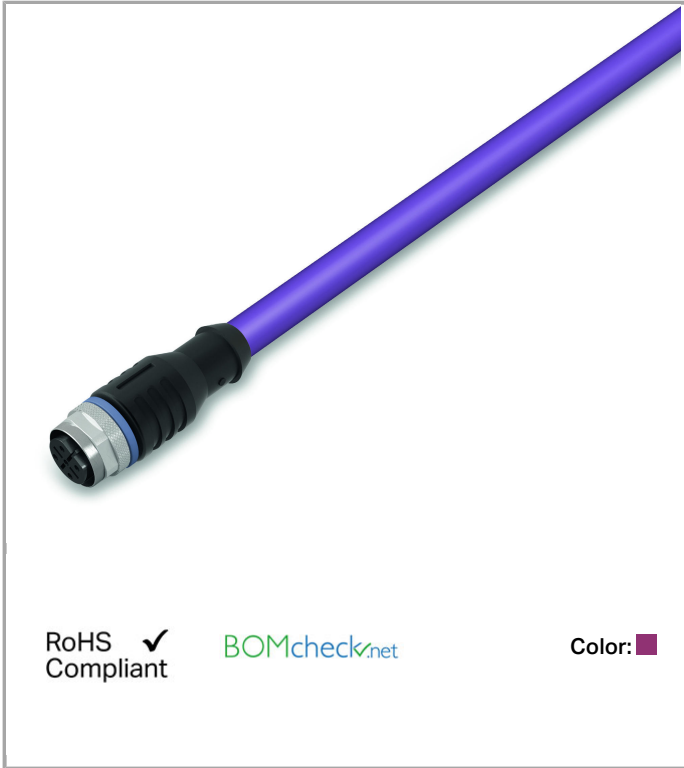


Data sheet | Item number: 756-1101/060-020

PROFIBUS cable, straight; 2 m; fitted on one end; B-coded; M12 socket, straight; one free cable end



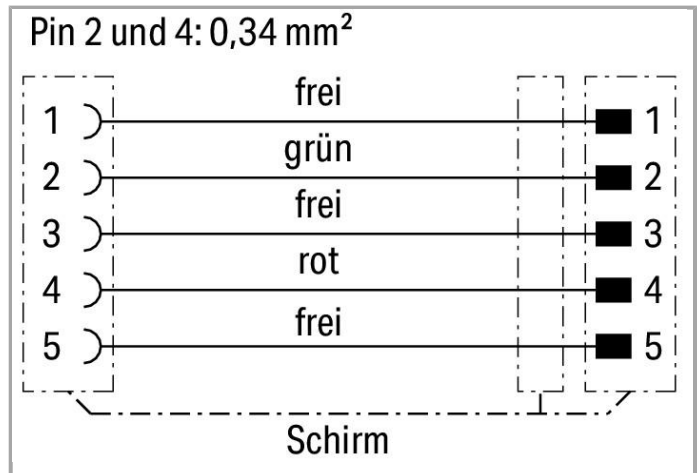
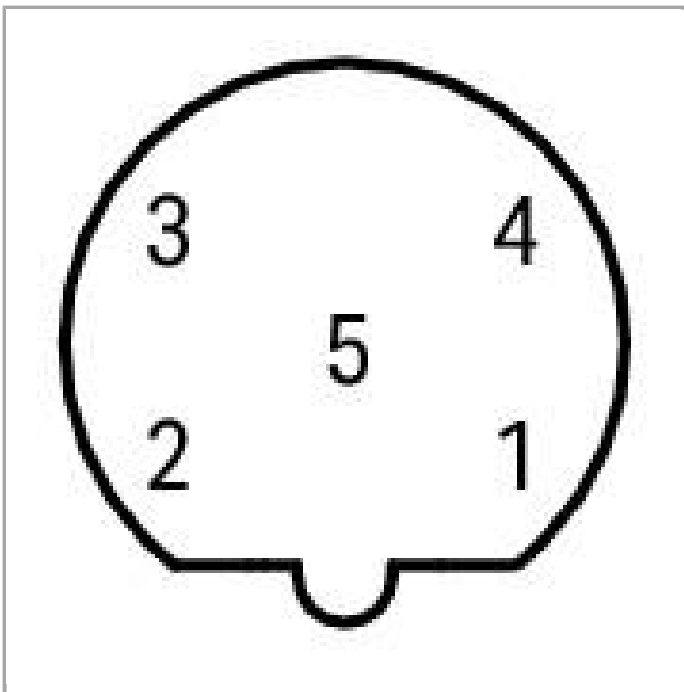
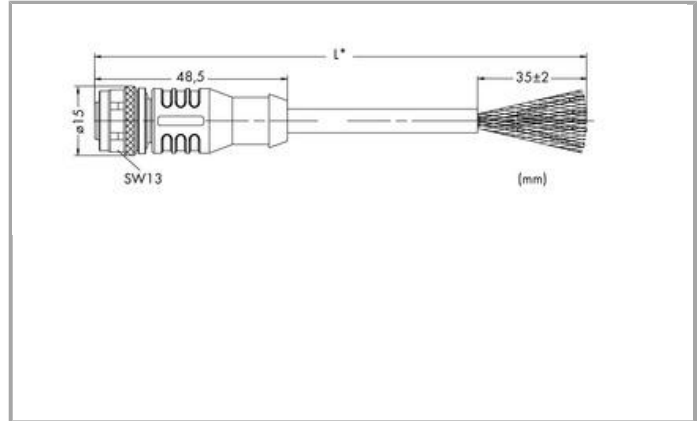
www.wago.com/756-1101/060-020



RoHS
Compliant ✓

BOMcheck.net

Color: ■



Item description

Short description:

- PUR, halogen-free
- Suitable for drag chains
- Silicon- and PVC-free
- Good resistance to microbes, hydrolysis, oil, chemicals and UV radiation
- Good chemical resistance

Data**Technical Data**

| | |
|---|--|
| Connection type | M12 socket - free end |
| No. of poles | 5 |
| Leitungsanschlussrichtung zur Steckrichtung | 0° |
| Steckgesichtskodierung Leitung/Adapter 1 1 | B coded |
| Cable length | 2 m |
| Communication/Fieldbus | PROFIBUS |
| Operating voltage | ≤ 300 V |
| Operating current | 4 A |
| Rated surge voltage | 2 kV |
| Insulation resistance | > 2500 MΩ/km |
| Resistance of conductor | max. 55 Ω/km; Schleifenwiderstand: max. 110 Ω/km |

Mechanical data

| | |
|-------------------------------|---|
| bending radius | > 10 x cable Ø (flexible use); > 5 x cable Ø in drag chain (fixed installation) |
| Bending cycles | 1 |
| Schleppkettentauglichkeit | yes |
| Durchmesser der Mantelleitung | 7.3 ... 7.9 mm |
| Bauartkurzzeichen | LI02YS-(ST)CB11Y 1X(2X0,34SQMM) |
| Screening | Shielding braid, (approx. 5.90 mm Ø), tinned CU-ETP1, coverage 85 % ± 5 % |
| Conductor design | Bare copper wire (19 x 0.15 mm) |
| Leiterisolierung | PE halogenfrei; Füllstoff: PP-Garn |
| Housing material | TPU/TPU, black (~ RAL 9005) |
| Tightening torque | 1 Nm |
| Weight | 164 g |
| Color | violet |

Environmental Requirements

| | |
|--------------------------------------|----------------|
| Umgebungstemperatur (Betrieb) bewegt | -25 ... +60 °C |
| Umgebungstemperatur (Betrieb) ruhend | -50 ... +80 °C |



| | |
|-------------------------|---------------------|
| Degree of protection | IP67 |
| Degree of pollution (5) | 3/2 per IEC 60664-1 |

Commercial data

| | |
|--------------------|---------------|
| Country of origin | DE |
| GTIN | 4045454521509 |
| Customs Tariff No. | 85444290900 |

Downloads

Documentation

System Description

| | | | |
|--|-------------|--------|--------------------------|
| I/O-SYSTEM – <i>SPEEDWAY</i> , General Product Information | Jun 6, 2017 | 1.1 MB | Download |
|--|-------------|--------|--------------------------|

Subject to changes.