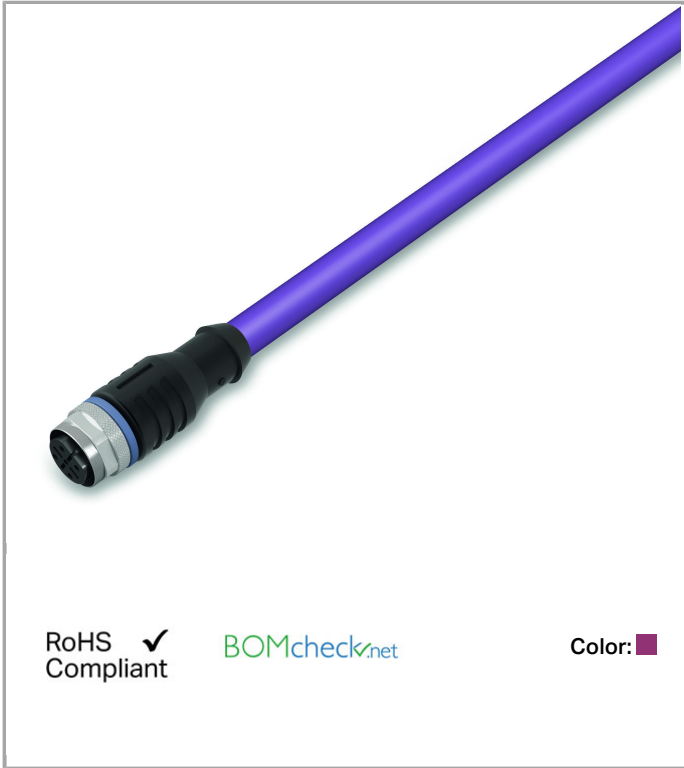


Data sheet | Item number: 756-1401/060-050

CANopen-/DeviceNet cable, straight; 5 m; fitted on one end; A-coded; M12 socket, straight; one free cable end



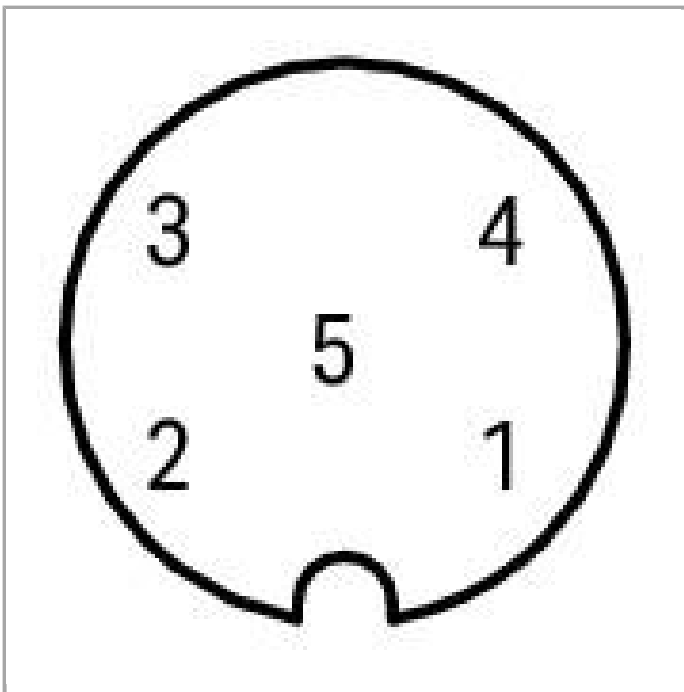
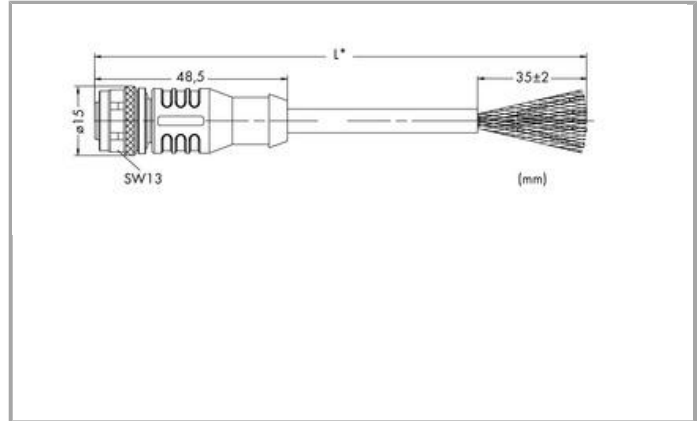
www.wago.com/756-1401/060-050



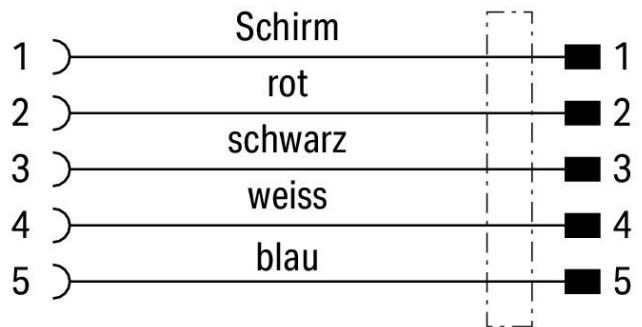
RoHS
Compliant ✓

BOMcheck.net

Color: ■



Pin 2, 3: 0,38 mm²; Pin 4, 5: 0,67 mm²



Item description

Short description:

- PUR VT, halogen-free
- Suitable for drag chains
- Good resistance to microbes, hydrolysis, oil, chemicals and UV radiation
- Good chemical resistance
- Cable used: UL listed

Data**Technical Data**

| | |
|---|------------------------------------|
| Connection type | M12 socket - free end |
| No. of poles | 5 |
| Leitungsanschlussrichtung zur Steckrichtung | 0° |
| Steckgesichtskodierung Leitung/Adapter 1 1 | A coded |
| Cable length | 5 m |
| Communication/Fieldbus | CANopen |
| Communication/Fieldbus (2) | DeviceNet |
| Operating voltage | ≤ 300 V |
| Operating current | 4 A |
| Rated surge voltage | 2 kV |
| Contact resistance | 10 MΩ |
| Insulation resistance | ≥ 2 x 10 ⁸ Ω/km |
| Resistance of conductor | ≤57 Ω/km (AWG22) + ≤79 Ω/km(AWG24) |

Mechanical data

| | |
|-------------------------------|--|
| bending radius | min. 5 x cable Ø |
| Bending cycles | 5 |
| Schleppkettentauglichkeit | yes |
| Durchmesser der Mantelleitung | 6.6 ... 7.2 mm |
| Bauartkurzzeichen | L-02YC11Y 2xAWG24 + 2xAWG22/1,4-120 VI FRNC, geschirmt |
| Screening | tinned copper braid, optical coverage approx. 85 % |
| Conductor design | Bare copper wire (19 x 0.125 mm) |
| Leiterisolierung | PE halogenfrei |
| Housing material | TPU/TPU, black (~ RAL 9005) |
| Tightening torque | 1 Nm |
| Weight | 345.7 g |
| Color | violet |

Environmental Requirements

| | |
|--------------------------------------|----------------|
| Umgebungstemperatur (Betrieb) bewegt | -40 ... +80 °C |
|--------------------------------------|----------------|



| | |
|--------------------------------------|---------------------|
| Umgebungstemperatur (Betrieb) ruhend | -40 ... +80 °C |
| Degree of protection | IP67 |
| Degree of pollution (5) | 3/2 per IEC 60664-1 |

Commercial data

| | |
|--------------------|---------------|
| Country of origin | DE |
| GTIN | 4045454640262 |
| Customs Tariff No. | 85444290900 |

Downloads

Documentation

System Description

| | | | |
|--|-------------|--------|--------------------------|
| I/O-SYSTEM – <i>SPEEDWAY</i> , General Product Information | Jun 6, 2017 | 1.1 MB | Download |
|--|-------------|--------|--------------------------|

Subject to changes.