



Self Adhesive / Screw Fixing Cable Tie Mounts

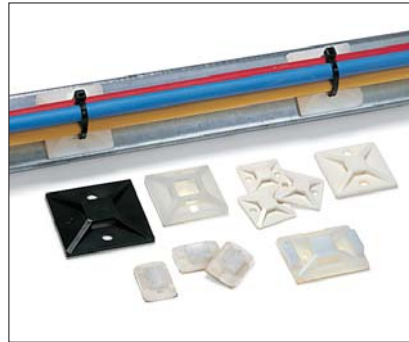
• MB-Series Square-Cut

Features and Benefits

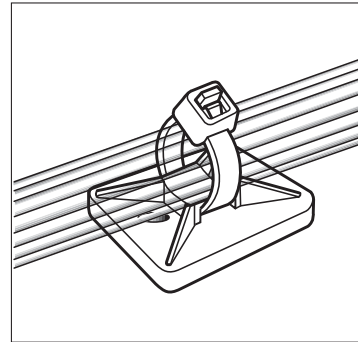
Available in either screw or self adhesive mounting this range offers a safe and secure fixing base. Simple to install with a screw or bolt they give excellent security, particularly in areas of high vibration. The Self Adhesive mounts are designed to offer the maximum surface area, and in conjunction with the specially developed adhesive ensures that a very high pull-off force is achieved. The MB mounts offer '4-way' entry for the cable tie enabling quicker and more flexible installation.

Application

Designed specifically for holding heavier cable bundles these mounting bases can be used in many industries from agriculture to truck manufacture. They offer a very secure fixing and can be used with a wide variety of heavy duty cable ties up to 8mm wide.



Cable Tie Mounts MB and TY.



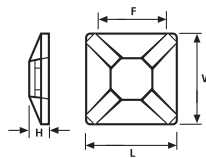
Cable Tie Mounts MB3A.

Material Data

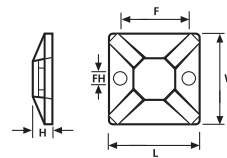
Material	Polyamide 6.6 (PA66)
Operating Temperature	-40 °C to +85 °C Continuous, (+105 °C for 500 h)
Flammability	UL94 V2 (excluding adhesive)



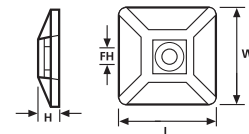
For more information on the types of adhesive used please turn to page 162.



Cable Tie Mounts MB2A



Cable Tie Mounts MB3-5(A)



Cable Tie Mounts MB4CA

Technical Table

Article-No.	Type	Length (L)	Width (W)	Height (H)	Fixing Hole Ø (FH)	Fixing Hole Centres (F)	Strap Width max. (G)	Material	Colour	Adhesive
151-01802	MB2A	13.0	13.0	4.1	–	–	2.7	PA66	White (WH)	Synthetic rubber
151-28359	MB3	19.0	19.0	3.8	3.1	13.2	4.1	PA66	Natural (NA)	–
151-28349	MB3A	19.0	19.0	3.8	3.1	13.2	4.1	PA66	Natural (NA)	Synthetic rubber
151-28320	MB3A	19.0	19.0	3.8	3.1	13.2	4.1	PA66	Black (BK)	Synthetic rubber
151-28479	MB4	28.0	28.0	4.7	4.0	20.0	5.4	PA66	Natural (NA)	–
151-28469	MB4A	28.0	28.0	4.7	4.0	20.2	5.4	PA66	Natural (NA)	Synthetic rubber
151-28430	MB4A3	28.0	28.0	4.7	4.0	20.2	5.4	PA66	Black (BK)	Acrylate
151-28459	MB4CA	29.0	29.0	5.7	4.2	–	5.4	PA66	Natural (NA)	Synthetic rubber
151-28449	MB4CAS*	29.0	29.0	5.7	4.2	–	5.4	PA66	Natural (NA)	Synthetic rubber
151-00324	MB5	37.7	37.7	6.2	4.7	25.3	10.0	PA66	White (WH)	–
151-28529	MB5A	37.7	37.7	6.9	4.7	25.3	10.0	PA66	Natural (NA)	Synthetic rubber
151-28530	MB5A3	38.0	38.0	6.4	4.7	25.3	10.0	PA66	Black (BK)	Acrylate

All dimensions in mm. Subject to technical changes.

* Plastic box



Please note! Not all products listed on this page may have this approval.

For product specific approvals please refer to the Appendix.