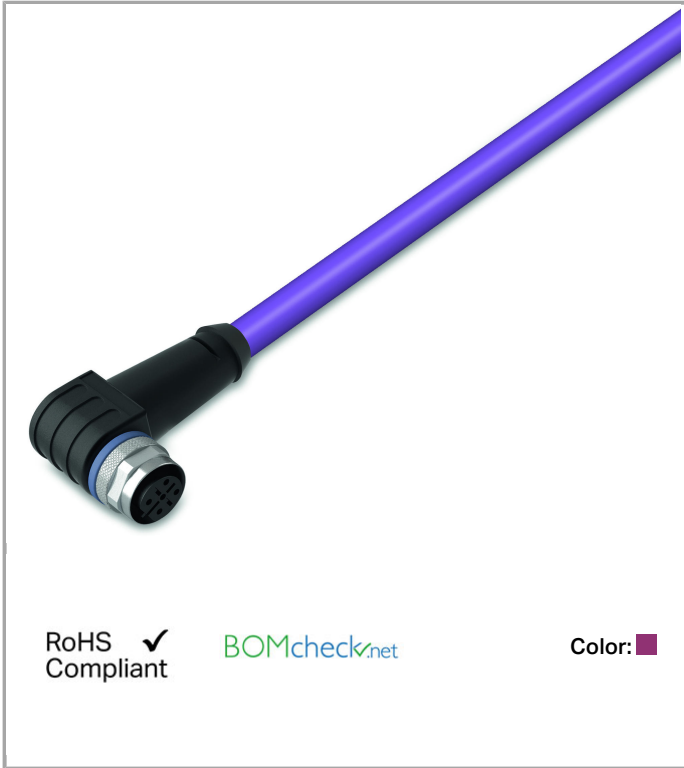


Data sheet | Item number: 756-1402/060-050

CANopen-/DeviceNet cable, angled; 5 m; fitted on one end; A-coded; M12 socket, angled; one free cable end



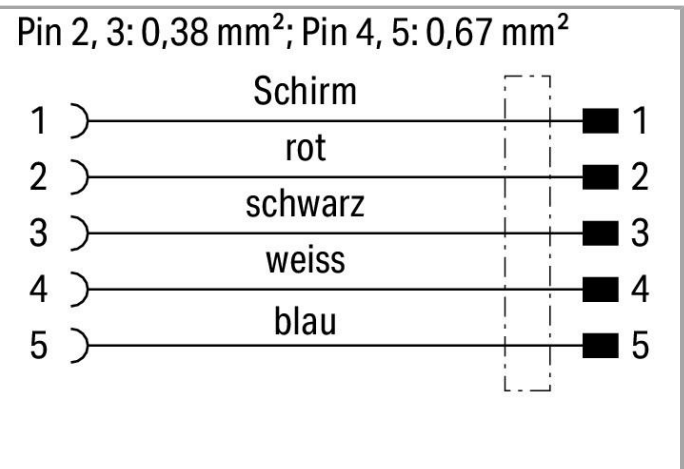
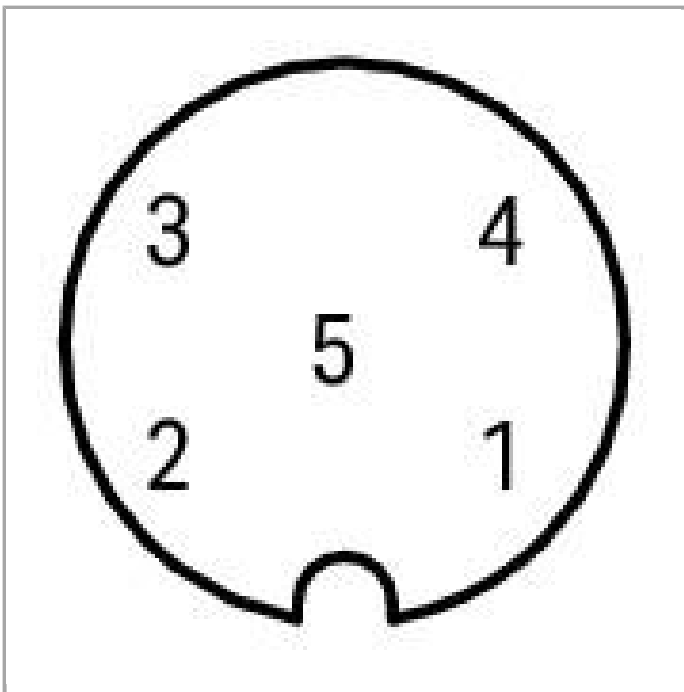
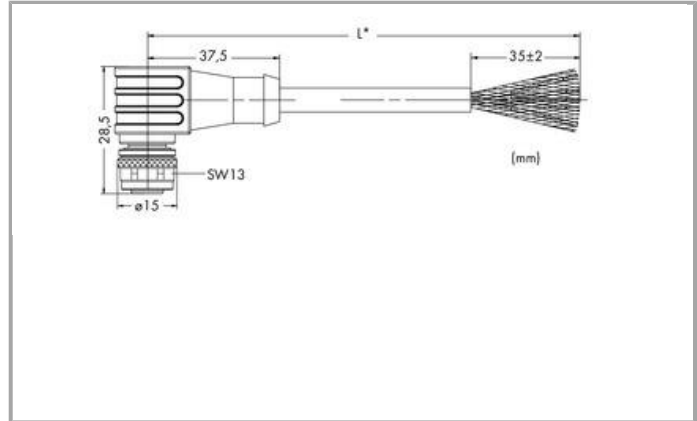
[www.wago.com/756-1402/060-050](http://www.wago.com/756-1402/060-050)



RoHS  
Compliant ✓

BOMcheck.net

Color: ■



Item description

**Short description:**

- PUR VT, halogen-free
- Suitable for drag chains
- Good resistance to microbes, hydrolysis, oil, chemicals and UV radiation
- Good chemical resistance
- Cable used: UL listed

**Data****Technical Data**

Connection type	M12 socket - free end
No. of poles	5
Leitungsanschlussrichtung zur Steckrichtung	90°
Steckgesichtskodierung Leitung/Adapter 1 1	A coded
Cable length	5 m
Communication/Fieldbus	CANopen
Communication/Fieldbus (2)	DeviceNet
Operating voltage	≤ 300 V
Operating current	4 A
Rated surge voltage	2 kV
Contact resistance	10 MΩ
Insulation resistance	≥ 2 x 10 <sup>8</sup> Ω/km
Resistance of conductor	≤57 Ω/km (AWG22) + ≤79 Ω/km(AWG24)

**Mechanical data**

bending radius	min. 5 x cable Ø
Bending cycles	5
Schleppkettentauglichkeit	yes
Durchmesser der Mantelleitung	6.6 ... 7.2 mm
Bauartkurzzeichen	L-02YC11Y 2xAWG24 + 2xAWG22/1,4-120 VI FRNC, geschirmt
Screening	tinned copper braid, optical coverage approx. 85 %
Conductor design	Bare copper wire (19 x 0.125 mm)
Leiterisolierung	PE halogenfrei
Housing material	TPU/TPU, black (~ RAL 9005)
Tightening torque	1 Nm
Weight	9.999 g
Color	violet

**Environmental Requirements**

Umgebungstemperatur (Betrieb) bewegt	-40 ... +80 °C
--------------------------------------	----------------



Umgebungstemperatur (Betrieb) ruhend	-40 ... +80 °C
Degree of protection	IP67
Degree of pollution (5)	3/2 per IEC 60664-1

### Commercial data

Country of origin	DE
GTIN	4045454640309
Customs Tariff No.	85444290900

### Downloads

#### Documentation

#### System Description

I/O-SYSTEM – <i>SPEEDWAY</i> , General Product Information	Jun 6, 2017	1.1 MB	<a href="#">Download</a>
------------------------------------------------------------	-------------	--------	--------------------------

Subject to changes.