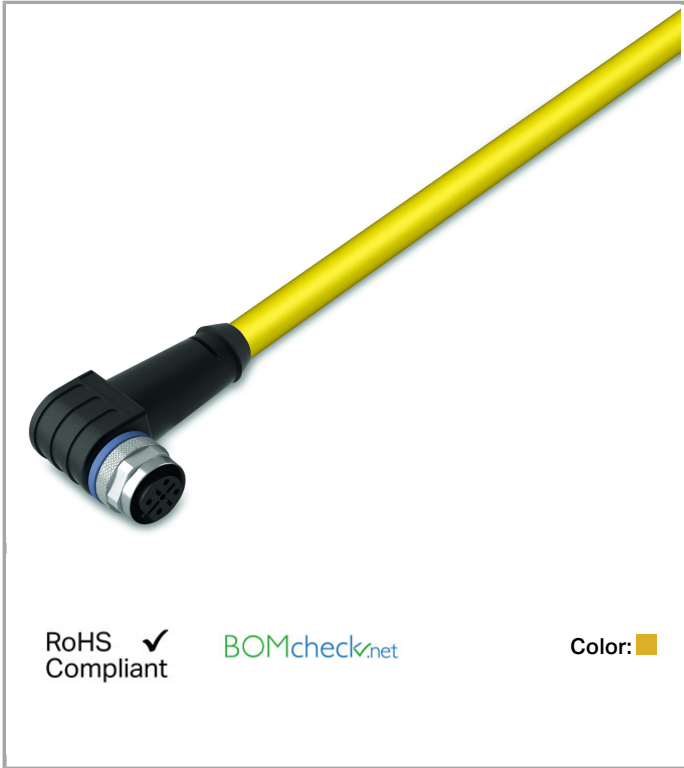


Data sheet | Item number: 756-1502/060-020

System bus/trailing cable, angled; 2 m; fitted on one end; B-coded; M12 socket, angled; one free cable end



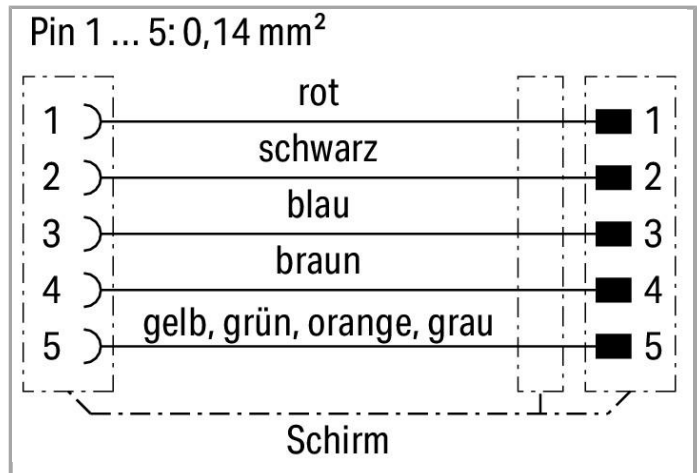
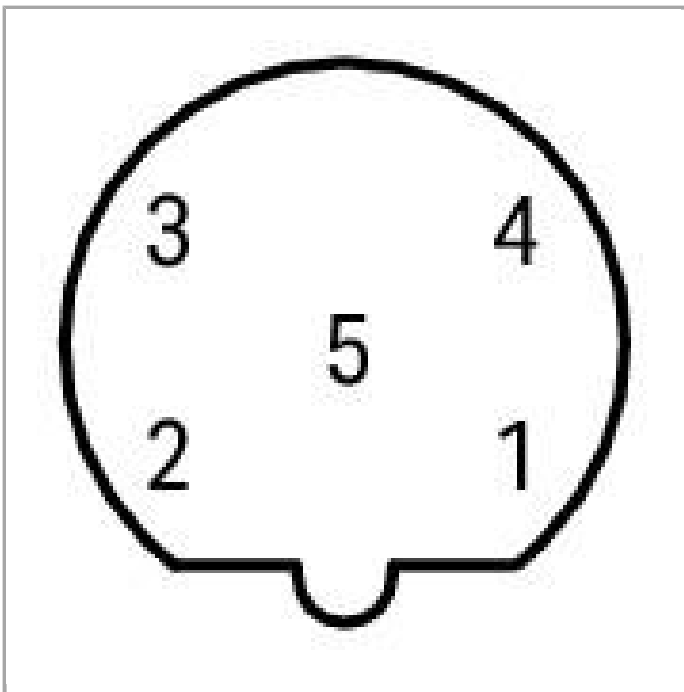
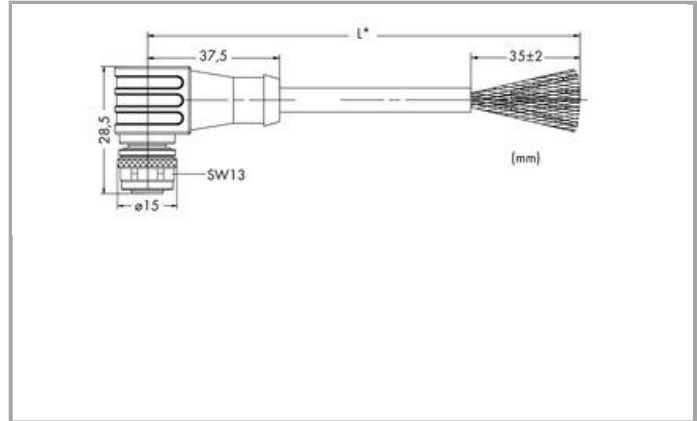
[www.wago.com/756-1502/060-020](http://www.wago.com/756-1502/060-020)



RoHS  
Compliant ✓

BOMcheck.net

Color: ■



Item description



## Short description:

- PUR, halogen-free
- Suitable for drag chains
- Silicon- and CFC-free
- Good resistance to microbes, hydrolysis, oil, chemicals and UV radiation. Good chemical resistance.

## Data

## Technical Data

|   |                              |
|---|------------------------------|
| Connection type                             | M12 socket - free end        |
| No. of poles                                | 5                            |
| Leitungsanschlussrichtung zur Steckrichtung | 90°                          |
| Steckgesichtskodierung Leitung/Adapter 1 1  | B coded                      |
| Cable length                                | 2 m                          |
| Operating voltage                           | 60 V                         |
| Operating current                           | 4 A                          |
| Rated surge voltage                         | 1,5 kV gemäß IEC 61076-2-101 |
| Contact resistance                          | 10 MΩ                        |
| Isolationswiderstand                        | 5000 MΩ                      |
| Resistance of conductor                     | ≤ 130 Ω/km                   |

## Mechanical data

|                                      |   |
|--------------------------------------|---|
| bending radius                       | min. 5 x cable Ø  |
| Bending cycles                       | 5   |
| Schleppkettentauglichkeit            | yes   |
| Durchmesser der Mantelleitung        | 6.8 mm  |
| Bauartkurzzeichen                    | KS-6Y3GC11Y 4x2xAWG26/19 geschirmt  |
| Screening                            | tinned copper braid, optical coverage approx. 90 %  |
| Conductor design                     | Bare copper wire, 26/19 AWG   |
| Leiterisolierung                     | FEP, Ader-Ø max. 1,0 mm   |
| Housing material                     | TPU/TPU, black (~ RAL 9005)   |
| Contact material                     | CuZn  |
| Contact plating                      | CuNi/Au   |
| Materialeigenschaften der Anschlüsse | Hexagon knurled nut: CuZn; Knurled nut surface: nickel-plated;<br>Sealing ring: FPM (Viton) |
| Mating cycles                        | 100   |
| Tightening torque                    | 1 Nm  |
| Weight                               | 9.999 g   |
| Color                                | yellow  |



## Environmental Requirements

|                                      |                     |
|--------------------------------------|---------------------|
| Umgebungstemperatur (Betrieb) bewegt | 0 ... +50 °C        |
| Umgebungstemperatur (Betrieb) ruhend | -30 ... +85 °C      |
| Degree of protection                 | IP67                |
| Degree of pollution (5)              | 3/2 per IEC 60664-1 |

## Commercial data

|                    |               |
|--------------------|---------------|
| Country of origin  | DE            |
| GTIN               | 4050821131168 |
| Customs Tariff No. | 85444290900   |

## Downloads

### Documentation

#### System Description

|  |             |        |                          |
|--|-------------|--------|--------------------------|
| I/O-SYSTEM – <i>SPEEDWAY</i> , General Product Information | Jun 6, 2017 | 1.1 MB | <a href="#">Download</a> |
|--|-------------|--------|--------------------------|

Subject to changes.