



Clips with elastically loop

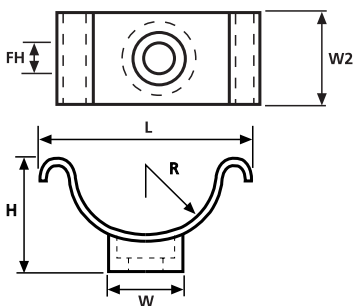
• Cradle Clip

Features and Benefits

A simple, versatile method of bundling cables - the clamp consists of two parts, the 'clip base' for mounting onto a panel, and the elastically 'loop'. Suitable for pre-assembly, prototyping or applications requiring the addition or removal of cables. The loop is simply stretched over the clip offering a simple and quick method of containing cables.

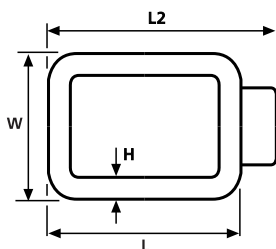


Cradle Clip.



Cradle Clip C1 - 3

Material Data	
Material	Polyamide 6.6 (PA66)
Operating Temperature	-40 °C to +85 °C Continuous, (+105 °C for 500 h)
Flammability	UL94 V2



Retaining Ring R1 - 3

Material Data	
Material	Flexible Polyvinyl Chloride, cadmium free (PVC)
Operating Temperature	-35 °C to +85 °C
Flammability	UL94 V2

Technical Table

Article-No.	Type	Length (L)	Length (L2)	Width (W)	Width (W2)	Height (H)	Radius (R)	Fixing Hole Ø (FH)	Material	Colour
201-10010	C1	25.0	–	12.7	15.5	14.0	6.3	4.8	PA66	Black (BK)
201-10020	C2	35.0	–	12.7	15.5	18.0	11.0	4.8	PA66	Black (BK)
201-10030	C3	48.0	–	12.7	15.5	25.0	17.5	4.8	PA66	Black (BK)
201-20010	R1	16.0	22.0	23.8	–	3.2	–	–	PVC	Black (BK)
201-20020	R2	22.0	29.0	23.8	–	3.2	–	–	PVC	Black (BK)
201-20030	R3	33.0	39.0	23.8	–	3.2	–	–	PVC	Black (BK)

All dimensions in mm. Subject to technical changes.