

Data sheet | Item number: 756-3202/120-100

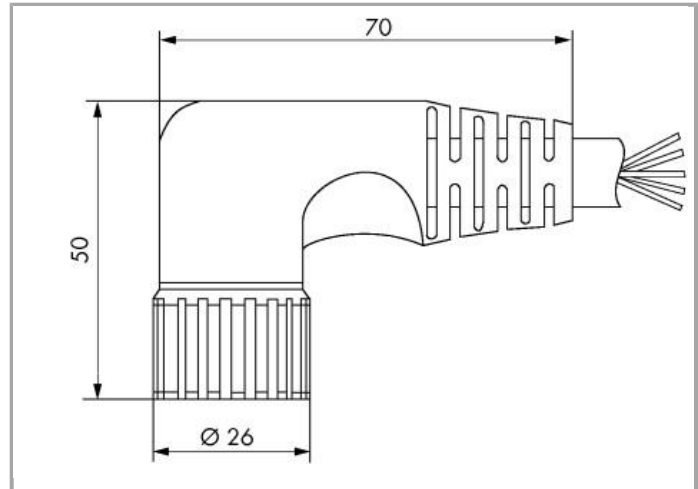
Connecting cable; angled; 12-pole; 10 m; fitted on one end (with free end);  
M23 socket, straight

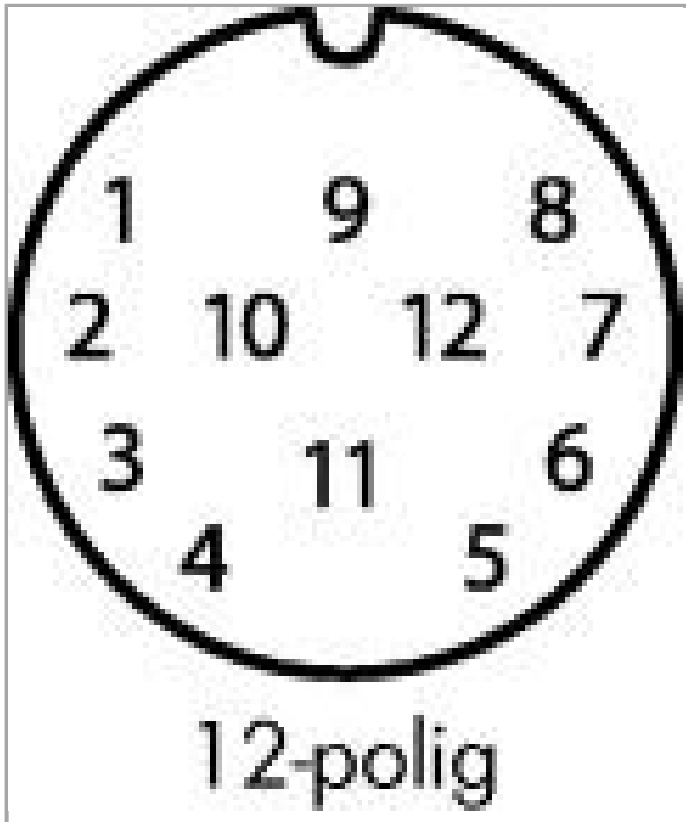
[www.wago.com/756-3202/120-100](http://www.wago.com/756-3202/120-100)



RoHS   
Compliant

[BOMcheck.net](https://www.bomcheck.net)





Pin 9, 11, 12: 1,00 mm<sup>2</sup>;  
Pin 1 - 8: 0,34 mm<sup>2</sup>

1	weiß	9	blau
2	grün	10	gebrückt mit 9
3	gelb	11	braun
4	grau	12	grün-gelb
5	grau/rosa		
6	rot/blau		
7	weiß/grün		
8	braun/grün		

## Data

### Technical Data

Connection type	M23 socket - free end
No. of poles	12
Leitungsanschlussrichtung zur Steckrichtung	90°
Cable length	10 m
Operating voltage	≤300 V
Operating current	8 A
Rated surge voltage	≥2,0 kV eff.

### Mechanical data

Bending cycles	2
Schleppkettentauglichkeit	yes
Durchmesser der Mantelleitung	9 ... 9.6 mm
Weight	1081 g

### Environmental Requirements

Umgebungstemperatur (Betrieb) bewegt	-25 ... +80 °C
Umgebungstemperatur (Betrieb) ruhend	-40 ... +90 °C
Degree of protection	IP67



## Commercial data

Country of origin	DE
GTIN	4044918569019
Customs Tariff No.	85444290900
Product Group	23 (I/O passive and accessories)

## Downloads

### Documentation

#### System Description

Sensor/Actuator Boxes – General Product Information	Jun 6, 2017	357.7 kB	Download
---	-------------	----------	----------

Subject to changes.