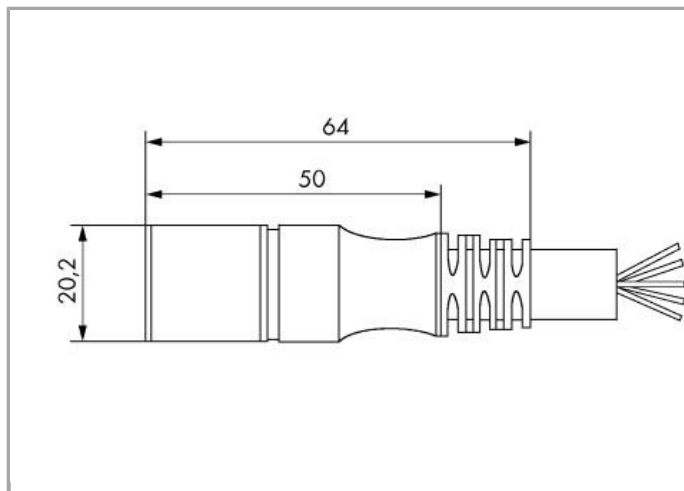
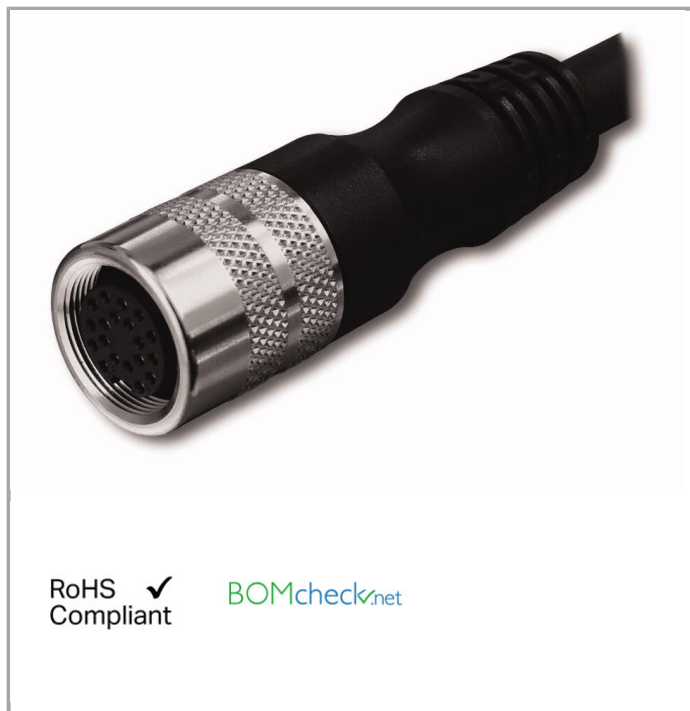


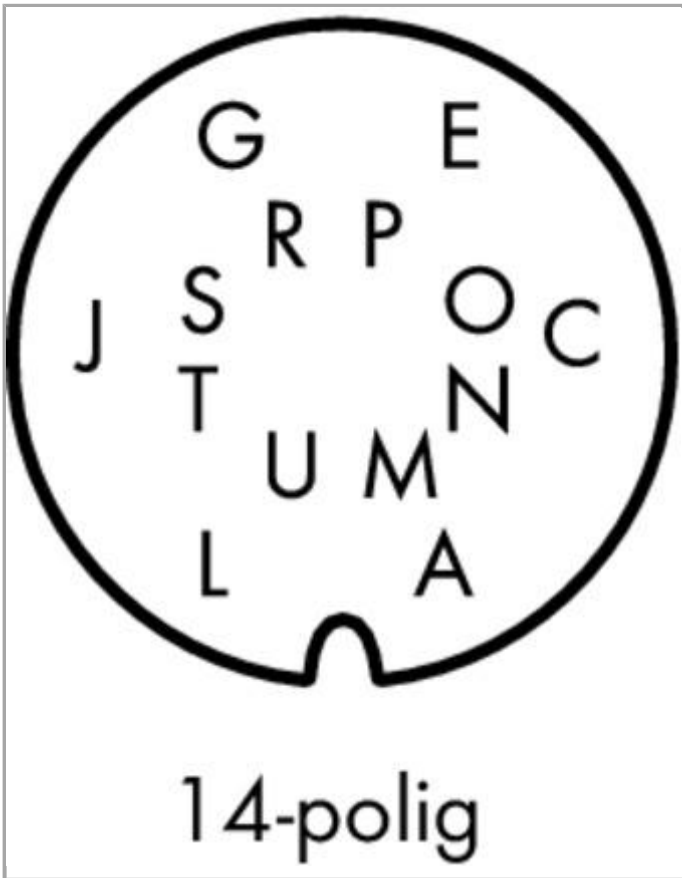
**Data sheet | Item number: 756-3205/140-150**

Connecting cable; for the connection of M8 sensor/actuator boxes; 14-pole;  
M16 socket, straight; one free cable end; 15 m



[www.wago.com/756-3205/140-150](http://www.wago.com/756-3205/140-150)



Pin A, L: 0,75 mm<sup>2</sup>Pin C - J, N - T: 0,34 mm<sup>2</sup>

|   |                |   |                |
|---|----------------|---|----------------|
| A | braun          | N | pink-braun     |
| C | weiß-pink      | O | violett        |
| E | schwarz        | P | weiß           |
| G | rosa           | R | rot            |
| J | grün           | S | grau           |
| L | blau           | T | gelb           |
| M | gebrückt mit A | U | gebrückt mit L |

**Data****Technical Data**

|   |                             |
|---|-----------------------------|
| Connection type                             | M16 socket - free end       |
| No. of poles                                | 14                          |
| Leitungsanschlussrichtung zur Steckrichtung | 0°                          |
| Cable length                                | 15 m                        |
| Operating voltage                           | 150 V                       |
| Operating current                           | 4 A                         |
| Operating current                           | 6 A (0,75 mm <sup>2</sup> ) |
| Rated surge voltage                         | 1,2 kV                      |

**Mechanical data**

|                               |                |
|-------------------------------|----------------|
| Bending cycles                | 2              |
| Schleppkettentauglichkeit     | yes            |
| Durchmesser der Mantelleitung | 8.9 ... 9.3 mm |
| Weight                        | 1753 g         |

**Environmental Requirements**

|                                      |                |
|--------------------------------------|----------------|
| Umgebungstemperatur (Betrieb) bewegt | -30 ... +90 °C |
|--------------------------------------|----------------|



---

|                                      |                |
|--------------------------------------|----------------|
| Umgebungstemperatur (Betrieb) ruhend | -40 ... +90 °C |
| Degree of protection                 | IP67           |

---

### Commercial data

---

|                    |               |
|--------------------|---------------|
| Country of origin  | DE            |
| GTIN               | 4044918978521 |
| Customs Tariff No. | 85444290900   |

---

### Downloads

#### Documentation

#### System Description

---

|   |             |          |
|---|-------------|----------|
| Sensor/Actuator Boxes – General Product Information | Jun 6, 2017 | Download |
|   |             | 357.7 kB |

---

Subject to changes.