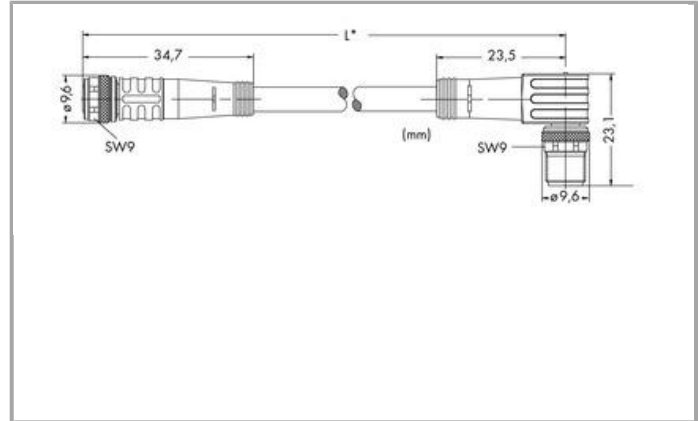


Data sheet | Item number: 756-5202/030-010

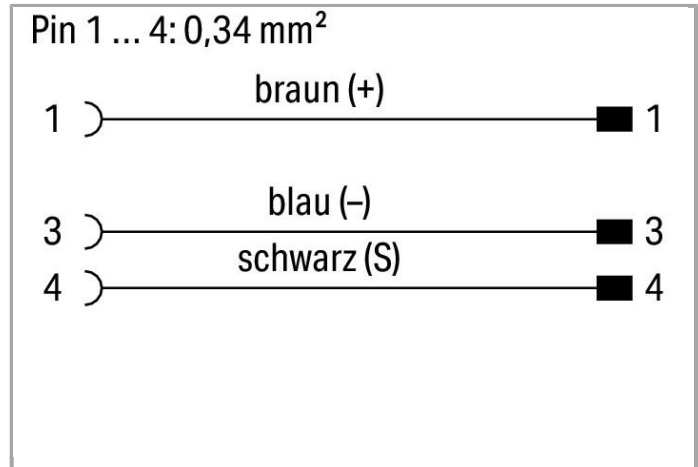
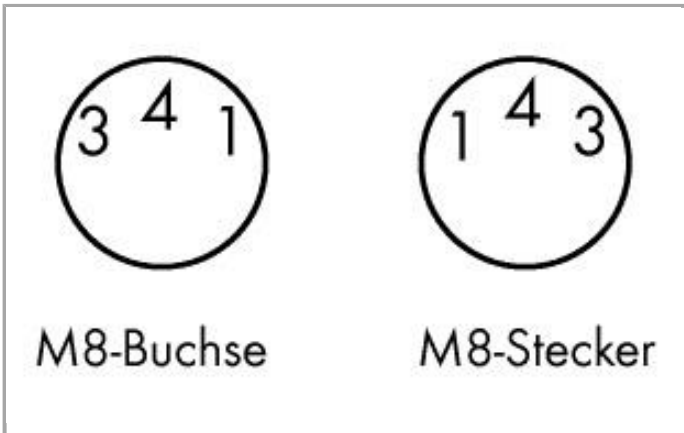
Sensor/actuator cable; fitted on both ends; 3-pole; M8 socket, straight; M8 plug, angled; 1 m



[www.wago.com/756-5202/030-010](http://www.wago.com/756-5202/030-010)



RoHS  Compliant [BOMcheck.net](https://www.bomcheck.net)



Item description

Short description:

- PUR, halogen-free
- Suitable for drag chains
- Good resistance to microbes, hydrolysis, oil, chemicals and UV radiation.
- Good chemical resistance.
- Cable used: UL listed



## Data

### Technical Data

Connection type	M8 socket - M8 plug
No. of poles	3
Leitungsanschlussrichtung zur Steckrichtung	0°
Leitungsanschlussrichtung zur Steckrichtung (2)	90°
Cable length	1 m
Operating voltage	AC/DC 60 V
Operating current	4 A
Rated surge voltage	1,5 kV

### Mechanical data

Bending cycles	2
Schleppkettentauglichkeit	yes
Color of sheathed cable	black
Durchmesser der Mantelleitung	3.9 ... 4.3 mm
Sheath material	Polyurethane (OPUR), halogen-free per DIN VDE 0472 Part 815, flame resistant per IEC 332-2, self-extinguishing
Halogen-free	Yes
Housing material	Polyurethan (PUR)
Contact material	CuSn
Contact plating	CuNi/Au
Tightening torque	0.6 Nm
Weight	42.5 g

### Environmental Requirements

Umgebungstemperatur (Betrieb) bewegt	-25 ... +90 °C
Umgebungstemperatur (Betrieb) ruhend	-50 ... +90 °C
Degree of protection	IP67
Degree of pollution (5)	3 acc. to VDE 0110

### Commercial data

Country of origin	DE
GTIN	4044918974578
Customs Tariff No.	85444290900

## Downloads

### Documentation

#### System Description

IP67 Cables and Pluggable Connectors



Jun 6, 2017

Download

434.4 kB

---

Subject to changes.

---

WAGO Kontakttechnik GmbH & Co. KG

Hansastr. 27

32423 Minden

Phone: +49571 887-0 | Fax: +49571 887-169

Email: [info.de@wago.com](mailto:info.de@wago.com) | Web: [www.wago.com](http://www.wago.com)

Do you have any questions about our products?

We are always happy to take your call at +49 (571) 887-44222.