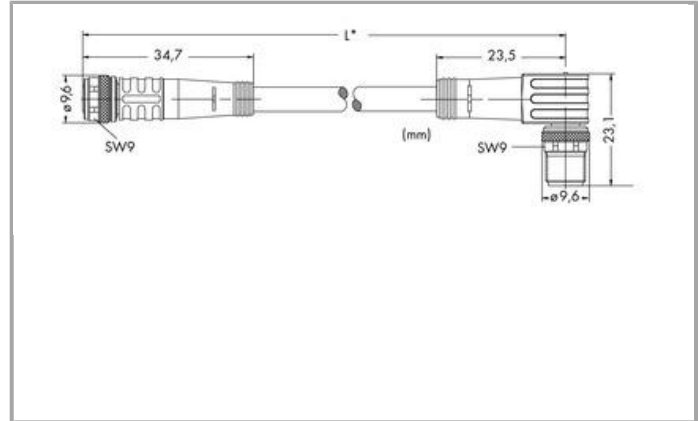


Data sheet | Item number: 756-5202/030-020

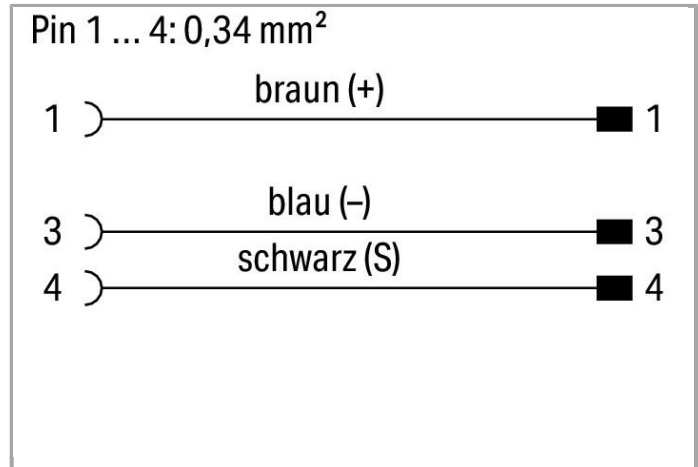
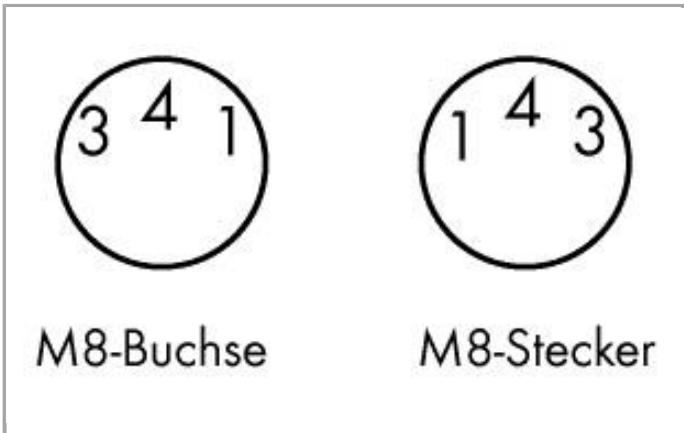
Sensor/actuator cable; fitted on both ends; 3-pole; M8 socket, straight; M8 plug, angled; 2 m



www.wago.com/756-5202/030-020



RoHS Compliant [BOMcheck.net](https://www.bomcheck.net)



Item description

Short description:

- PUR, halogen-free
- Suitable for drag chains
- Good resistance to microbes, hydrolysis, oil, chemicals and UV radiation.
- Good chemical resistance.
- Cable used: UL listed



Data

Technical Data

Connection type	M8 socket - M8 plug
No. of poles	3
Leitungsanschlussrichtung zur Steckrichtung	0°
Leitungsanschlussrichtung zur Steckrichtung (2)	90°
Cable length	2 m
Operating voltage	AC/DC 60 V
Operating current	4 A
Rated surge voltage	1,5 kV

Mechanical data

Bending cycles	2
Schleppkettentauglichkeit	yes
Color of sheathed cable	black
Durchmesser der Mantelleitung	3.9 ... 4.3 mm
Sheath material	Polyurethane (OPUR), halogen-free per DIN VDE 0472 Part 815, flame resistant per IEC 332-2, self-extinguishing
Halogen-free	Yes
Housing material	Polyurethan (PUR)
Contact material	CuSn
Contact plating	CuNi/Au
Tightening torque	0.6 Nm
Weight	58 g

Environmental Requirements

Umgebungstemperatur (Betrieb) bewegt	-25 ... +90 °C
Umgebungstemperatur (Betrieb) ruhend	-50 ... +90 °C
Degree of protection	IP67
Degree of pollution (5)	3 acc. to VDE 0110
Fire load	1.498 MJ

Commercial data

Country of origin	DE
GTIN	4044918974608
Customs Tariff No.	85444290900

Downloads

Documentation

System Description



Subject to changes.

WAGO Kontakttechnik GmbH & Co. KG
Hansastr. 27
32423 Minden
Phone: +49571 887-0 | Fax: +49571 887-169
Email: info.de@wago.com | Web: www.wago.com

Do you have any questions about our products?
We are always happy to take your call at +49 (571) 887-44222.