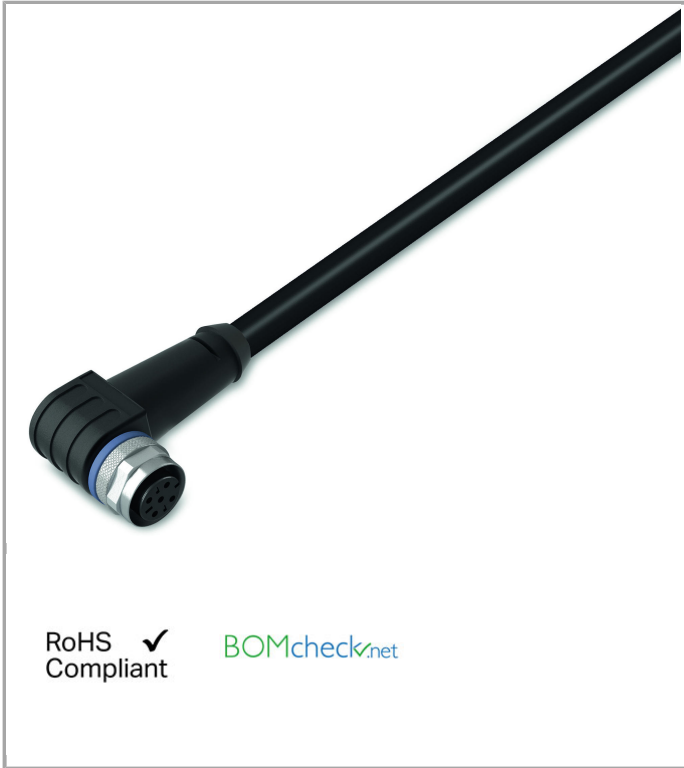


Data sheet | Item number: 756-5302/060-015

Sensor/actuator cable; fitted on one end (with free end); 5-pole; M12 socket, angled; one free cable end; 5 m

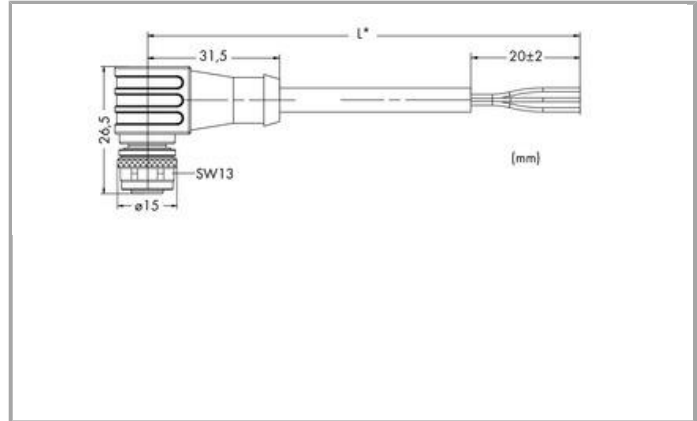


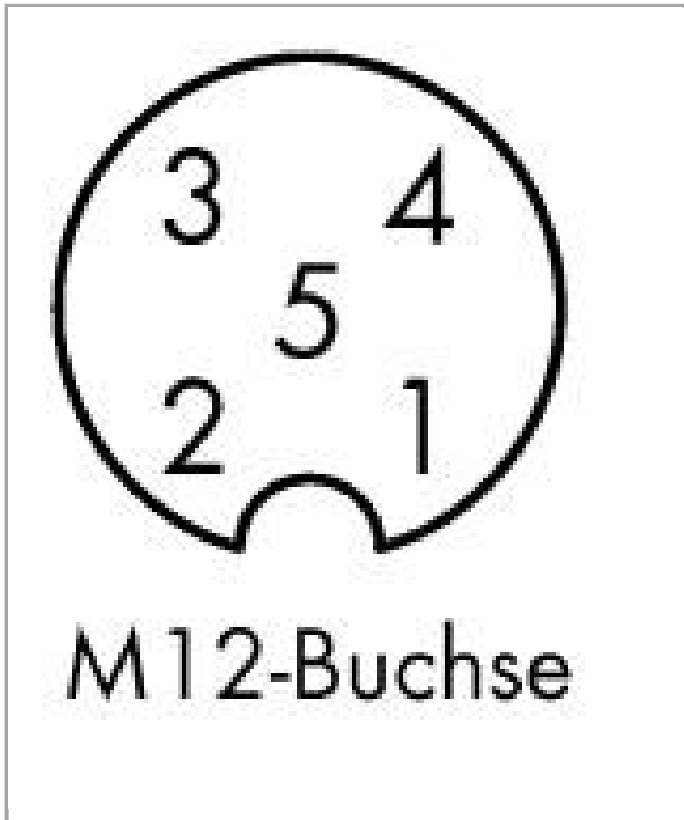
[www.wago.com/756-5302/060-015](http://www.wago.com/756-5302/060-015)



RoHS   
Compliant

[BOMcheck.net](https://www.bomcheck.net)





Pin 1 ... 5: 0,34 mm <sup>2</sup>	
1	braun (+)
2	weiß (Ö)
3	blau (-)
4	schwarz (S)
5	grau
Schirm	

### Item description

#### Short description:

- PUR, halogen-free
- Suitable for drag chains
- Good resistance to microbes, hydrolysis, oil, chemicals and UV radiation.
- Good chemical resistance.
- Cable used: UL listed

### Data

#### Technical Data

Connection type	M12 socket - free end
No. of poles	5
Anschlusspunkt geschirmt	yes
Leitungsanschlussrichtung zur Steckrichtung	90°
Steckgesichtskodierung Leitung/Adapter 1 1	A coded
Cable length	1.5 m
Operating voltage	AC/DC 250 V
Operating current	4 A
Rated surge voltage	1,5 kV



## Mechanical data

Bending cycles	2
Schleppkettentauglichkeit	yes
Color of sheathed cable	black
Durchmesser der Mantelleitung	6.3 ... 6.7 mm
Sheath material	Polyurethane (OPUR), halogen-free per DIN VDE 0472 Part 815, flame resistant per IEC 332-2, self-extinguishing
Halogen-free	Yes
Housing material	Polyurethan (PUR)
Contact material	CuSn
Contact plating	CuNi/Au
Tightening torque	1 Nm
Weight	114.7 g

## Environmental Requirements

Umgebungstemperatur (Betrieb) bewegt	-25 ... +90 °C
Umgebungstemperatur (Betrieb) ruhend	-50 ... +90 °C
Degree of protection	IP67
Degree of pollution (5)	3 acc. to VDE 0110

## Commercial data

Country of origin	HU
GTIN	4045454724665
Customs Tariff No.	85444290900

## Downloads

### Documentation

#### System Description

IP67 Cables and Pluggable Connectors	Jun 6, 2017	Download
		434.4 kB

Subject to changes.