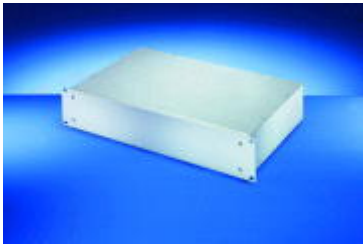


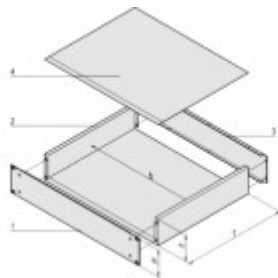
19"-chassis Al/Z



Article number: 20860-127

- Total chassis steel plate pre-zincplated (AlZn) coated with - aluminium profile front panel
- Rear panel removable for easy modification
- Use of telescopic slide not possible

Delivery quantity: kit



h = lichte Einbauhöhe (H - 30), b = lichte Einbaubreite = 447 mm

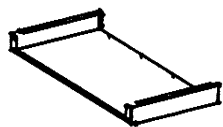
Item	Qty	Description
1	1	Front panel aluminium profile 3 mm, front anodised, rear side etched (at 1 U), rear side clear chromated (at 2 U)
2	1	Tray plain, steel plate zinc-plated (AlZn), 1 mm
3	1	Rear panel, steel plate zinc-plated (AlZn), 1 mm
4	1	Cover plate plain, steel plate zinc-plated (AlZn), 1 mm
5	1	Assembly kit

Technical data:

Height H	H	Depth	Depth T
2 U	88,1 mm	340 mm	340 mm

Notes:

- Please order front handle separately
- Not possible to use with telescopic slides
- No HF version available
- Internal configuration kits cannot be used
- h = clear mounting height (H - 3,0 mm)
- b = clear mounting width = 447 mm



1 (1x)



2 (1x)



3 (1x)



4 (1x)

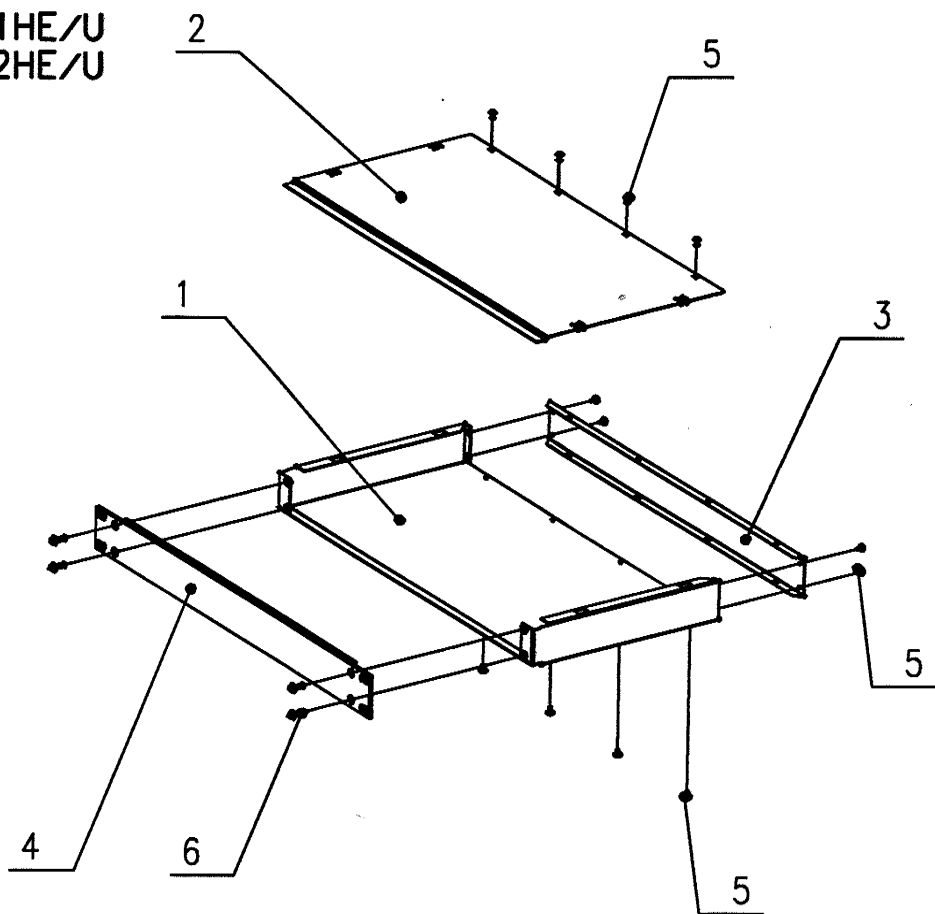


5 (12x)



6 (4x)

1HE/U
2HE/U



Montageanweisung

Assembly instruction

Instruction de montage

multipac Aluzink

multipac Aluzink

multipac Aluzink

