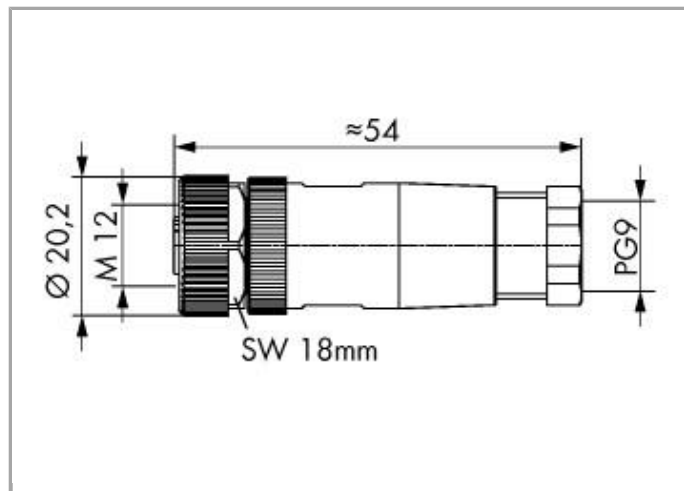


Data sheet | Item number: 756-9213/050-000

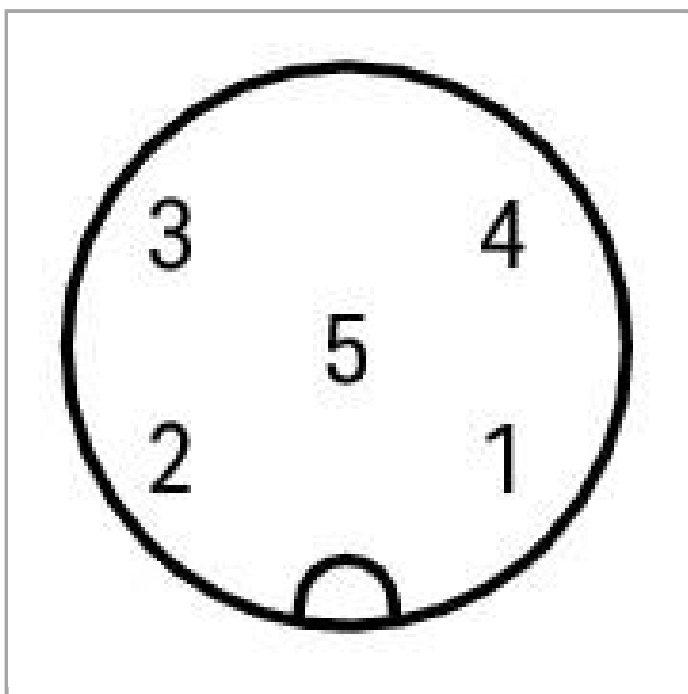
Connectors for sensor/actuator cable; 5-pole; M12 socket, straight

www.wago.com/756-9213/050-000



RoHS Compliant

[BOMcheck.net](https://www.bomcheck.net)



Anschließbare Leitung
Ø 6 ... 8 mm / 0,14 - 0,5 mm²



Data

Technical Data

Connection type	M12 socket
No. of poles	5
Leitungsanschlussrichtung zur Steckrichtung	0°
Steckgesichtskodierung Leitung/Adapter 1 1	A coded

Connection data

Connection type (1)	Federtechnik
Solid conductor	0.14 ... 0.5 mm ² / ...

Mechanical data

Connectable sheathed cable diameter	6 ... 8 mm
Weight	25 g

Environmental Requirements

Surrounding air (operating) temperature	-25 ... 85 °C
Degree of protection	IP67

Commercial data

Country of origin	DE
GTIN	4050821114307
Customs Tariff No.	85369010000

Downloads

Documentation

System Description

767 Series, SPEEDWAY accessories, data sheet	May 16, 2018	1.0 MB	Download
--	--------------	--------	--------------------------

Subject to changes.