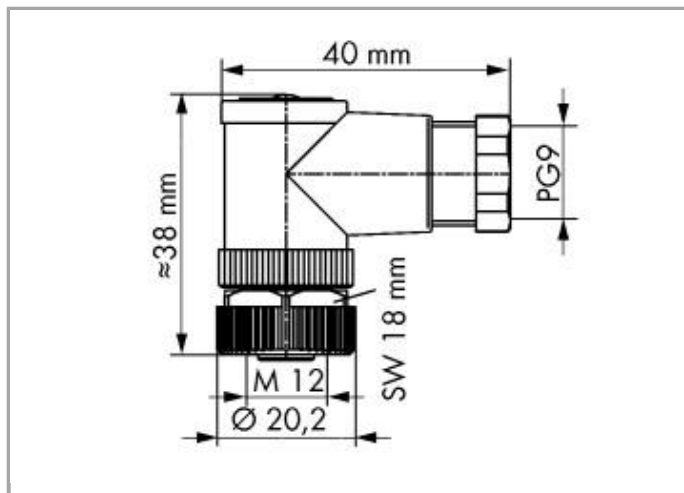


Data sheet | Item number: 756-9216/040-000

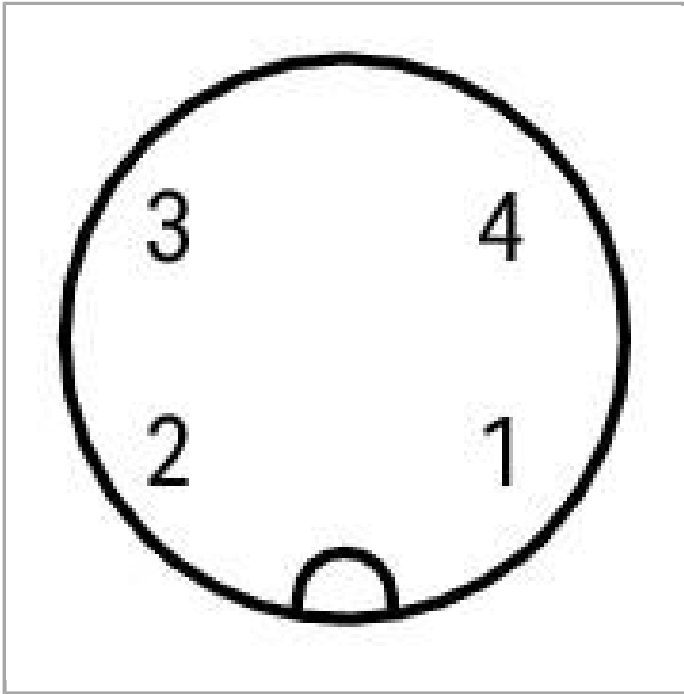
Connectors for sensor/actuator cable; 4-pole; M12 socket, angled

[www.wago.com/756-9216/040-000](http://www.wago.com/756-9216/040-000)



RoHS  Compliant

[BOMcheck.net](http://BOMcheck.net)



Anschließbare Leitung  
 $\varnothing 6 \dots 8 \text{ mm} / 0,25 - 0,75 \text{ mm}^2$

## Data

### Technical Data

Connection type	M12 socket
No. of poles	4
Leitungsanschlussrichtung zur Steckrichtung	90°
Steckgesichtskodierung Leitung/Adapter 1 1	A coded

### Connection data

Connection type (1)	Schraubtechnik
Solid conductor	0.25 ... 0.75 mm <sup>2</sup> / ...

### Mechanical data

Connectable sheathed cable diameter	6 ... 8 mm
Weight	31 g

### Environmental Requirements

Surrounding air (operating) temperature	-25 ... 85 °C
Degree of protection	IP67

### Commercial data

Country of origin	DE
GTIN	4050821114338
Customs Tariff No.	85369010000



---

Downloads

Documentation

System Description

767 Series, SPEEDWAY accessories, data sheet

May 16, 2018

1.0 MB

Download

---

Subject to changes.

---

WAGO Kontakttechnik GmbH & Co. KG

Hansastr. 27

32423 Minden

Phone: +49571 887-0 | Fax: +49571 887-169

Email: [info.de@wago.com](mailto:info.de@wago.com) | Web: [www.wago.com](http://www.wago.com)

Do you have any questions about our products?

We are always happy to take your call at +49 (571) 887-44222.