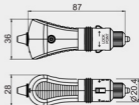


A13-151

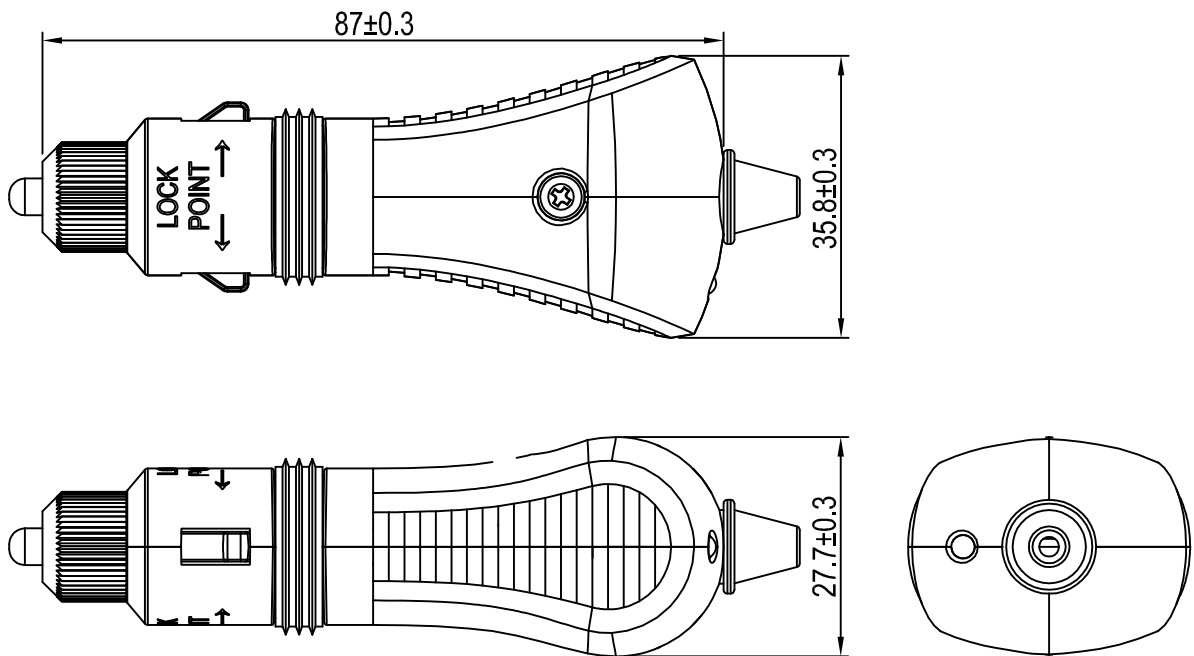


FEATURES

- * RATING: 15A 12V DC
- * MATERIAL
 - Housing: PBT (UL 94-HB).
 - Top contact: nickel plated metal.
 - Spring contact: nickel plated spring steel.
- * Heavy duty lighter plug.
- * Splash proof for IP44 rating.
- * Internal strain relief & cord seal.
- * With 15A glass tube fuse max.
- * Green LED indicator.
- * Fits wire SPT-2 16 AWG max.



Rating	12V DC 15A
Insulation Resistance	DC 500V 100M ohm Min
Voltage Breakdown	AC 1000V 1minute
Operating temperature	-0°c~60°c



							△
							△
Date	Name	Descriptions					NO
Draw	Check	Approval	SCI BOM No.		Model Name	Car Plug	
方婷鳳			Customer No.		Model No.	A13-151	
03/31/'11			Unit	mm			