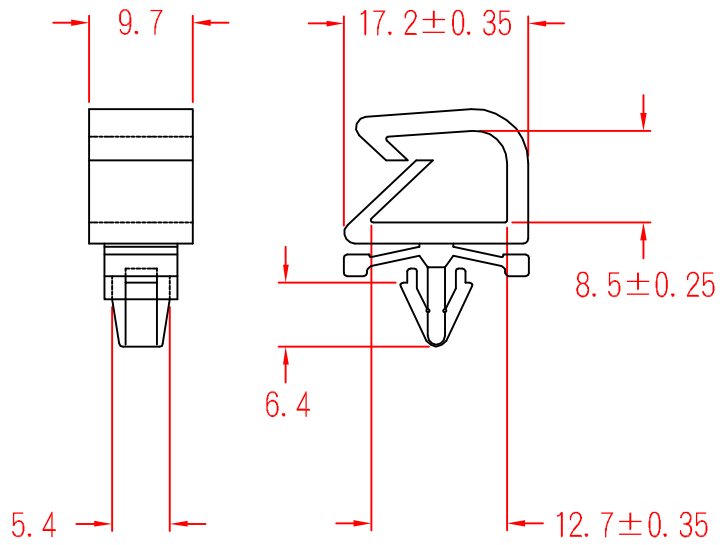


KWS-1308



To fit 5.8mm hole
chassis 1.6mm

		MATERIAL UL 94V-2		ITEM NO.	
		NYLON 66		KWS-1308	
SCALE		FINISH		NAME	
				LOCKING WIRE SADDLE	
△ (. .)		TOLERANCE ± 0.5mm		△ (. .)	
				01-05-2000	
				DATE	
				REVISIONS	
				K001	
				R.NO.	

