

Scotchlok[®] 951, 952, 953

Female T-Tap Quick-Slide Connectors

Product Information

Application:

Use Part No. 951, 952, or 953 to electrically tap into a wire in mid-span without cutting or stripping the wire. Connector then mates with a .250" (6.35mm) male tab, making a reusable quick-connect wiring termination.

Wire Ranges:

(See table for specific connector wire range)
22-12 AWG Solid or Stranded, tinned or untinned (.5-3.0mm sol. or str.) copper conductors. For use with common thermoplastic insulated wires such as: T, TW, TF, TFF, TFFN, THHN, AWM, TEW, SAE-GPT with a maximum wire insulation diameter of .150 inches (3.8mm).

Maximum recommended connector current:

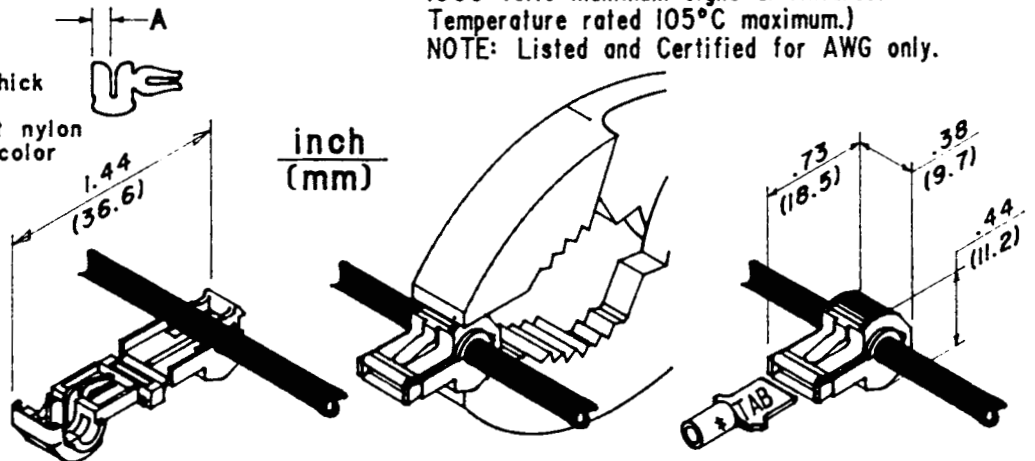
22 AWG - 3.0 AMPS, 20 AWG - 4.0 AMPS,
18 AWG - 7.5 AMPS, 16 AWG - 10 AMPS,
14 AWG - 15 AMPS, 12 AWG - 20 AMPS.

CONN. #	COLOR	WIRE RANGE (mm ²)	AWG (mm ²)	A (dlm.) IN (mm)	WEIGHT lb. (gm)
951	RED	22-18 (0.5-0.8)		.096-.102 (2.44-2.60)	.0023 (1.04)
952	BLUE	18-14 (0.8-2.0)		.090-.096 (2.30-2.44)	.0023 (1.04)
953	YELLOW	12 (3.0)		.080-.086 (2.03-2.18)	.0022 (1.00)

Construction:

Element - Tin plated brass
.03 in. (.8mm) thick

Insulator - Flame retardant nylon
see table for color



Installation Instructions:

CAUTION: Turn power off before installing or removing connector. All electrical work should be done according to appropriate electrical codes.

1. Do not strip run wire.
2. Place run wire in open channel.
3. Fold connector body until element contacts wire.
4. Crimp connector closed with pliers.
5. Slide completed T-Tap onto male tab.

* NOTE: Tab not included.

Suitable for field or factory installation.
For field wiring, a suitable UL Recognized strain relief device is required.

Recommended Installation Tool:

Mechanics (slip joint) Pliers

Regulatory Agencies:

U.L. Listed - Tested per UL Standard 310
U.L. File No. E70512

C.S.A. Certified - CSA Std. 22.2 No. 153
CSA File No. LR32411

(Voltage rated 600 volts maximum, building wire;
1000 volts maximum signs & fixtures.
Temperature rated 105°C maximum.)

NOTE: Listed and Certified for AWG only.

ENGINEERING SPECIFICATION:

Self-stripping T-Tap Female Quick-Slide connector (as manufactured by 3M) capable of connecting to an insulated, solid or stranded copper wire, in mid-span, without cutting or stripping the wire; and of connecting to a .250 in. X .032 in. Male Tab, in a separable, reusable manner, thus forming a Quick Connect Wiring Termination.

The electrical connecting element shall be tin plated brass; the insulator body shall be molded nylon, color coded to run wire size: Part Nos. 951 Red (22-18 AWG), 952 Blue (18-14 AWG), 953 Yellow (12 AWG).

Connector shall be UL Listed and CSA Certified for 600 volts maximum, building wire; 1000 volts maximum, signs & fixtures, and temperature rated 105°C maximum.

Important Notice: All statements, technical information and recommendations contained herein are based on tests we believe to be reliable, but the accuracy or completeness thereof is not guaranteed, and the following is made in lieu of all warranties, express or implied: Seller's and manufacturer's only obligation shall be to replace such quantity of the product proved to be defective. Neither seller nor manufacturer shall be liable for any injury, loss or damage, direct or consequential, arising out of the use of or inability to use the product. Before using, user shall determine the suitability of the product for his intended use, and user assumes all risks and liability whatsoever in connection therewith. Statements or recommendations not contained herein shall have no force or effect unless in an agreement signed by officers of seller and manufacturer.

5/86