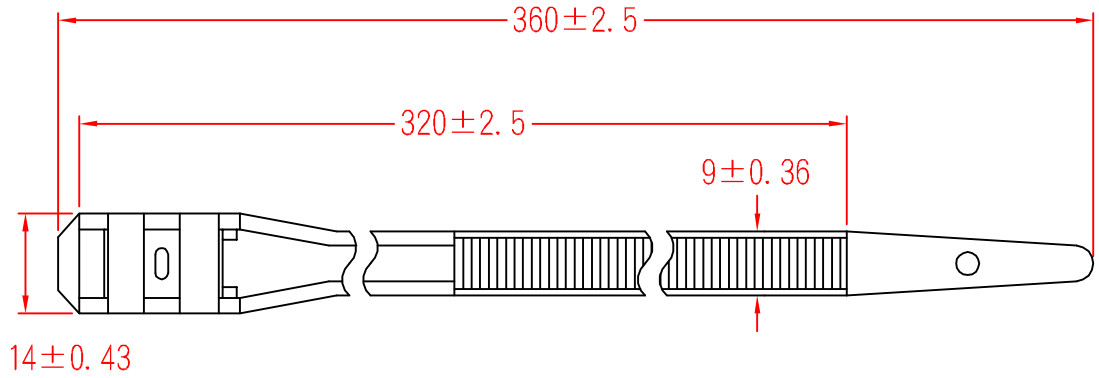


DL-360



KSS
96.10.25

KSS
96.10.25

MATERIAL: UL 94V-2
NYLON 66

ITEM NO.
DL-360

SCALE

FINISH

NAME

DOUBLE HEAD CABLE TIE



(. .)

TOLERANCE
AS FIGURE



10-25-2007
DATE

REVISIONS K001

R.NO.

