

MEGAVAL® BLADE TYPE FUSE

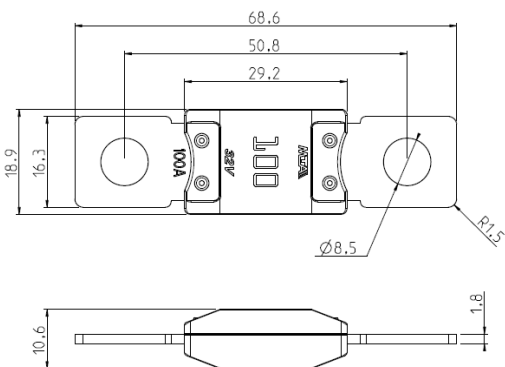
MegaVAL® fuses are compliant with ISO 8820-5 Standard, recommended for the protection of heavy cross-section wires with heavy current duty. MegaVAL® are made of Zinc alloy (100 ÷ 250 A) and Copper (500 A), to optimize the performance to the nominal current.



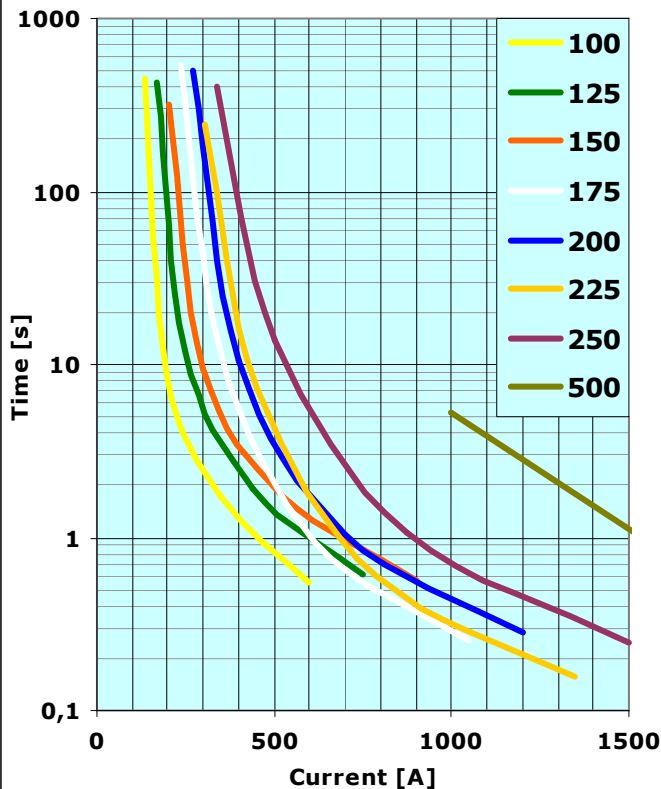
Breaking capacity: 2000[A]
Voltage rating: 32[Vdc]
Ambient Temperature: -40°C to +125°C

MTA/ISO MegaVAL® operating time limits		
% In	min [s]	max [s]
1,00	14400 ^(a)	-
1,35	120 ^(a)	1800 ^(a)
2,00	1	15
3,50	0,3 ^(b)	5
6,00	0,1 ^(a)	1 ^(a)

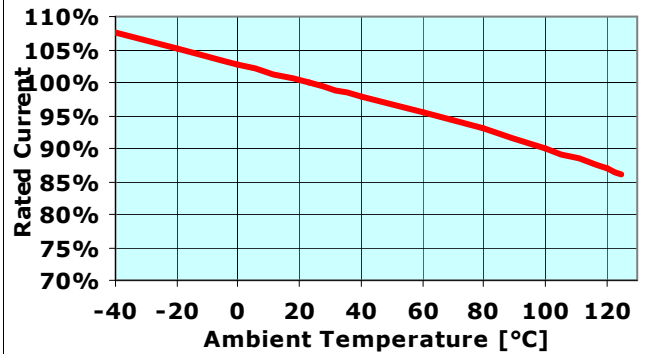
^(a) Not applicable for 500 A. ^(b) 0,5 for 500 A



MegaVAL® Operating Time @23°C test module ISO



MegaVAL® Re-Rating Curve. Test module ISO



CURRENT RATING [A]	VOLTAGE DROP @ current rating [mV]	CABLE SIZE [mm ²]	I ² t
100	86	16	219583
125	85		353125
150	93	25	463167
175	80		303521
200	81	35	416250
225	100		296042
250	80	50	637500
500	80	70	n.d