

Surge protection device - D-LAN-A/RJ45-BS - 2818973

Please be informed that the data shown in this PDF Document is generated from our Online Catalog. Please find the complete data in the user's documentation. Our General Terms of Use for Downloads are valid (<http://download.phoenixcontact.com>)



Attachment connector with surge protection for LAN interfaces. Connection: RJ45 sockets

Key commercial data

package_quantity	1
GTIN	4017918172275

Technical data

Ambient conditions

Ambient temperature (operation)	-40 °C ... 80 °C
Degree of protection	IP20

General

Color	black
Standards for air and creepage distances	DIN VDE 0110-1
Standards for air and creepage distances	IEC 60664-1
Surge voltage category	II
Pollution degree	2
Design	Attachment plug
Direction of action	Line-Line & Line-Shield & Shield-Earth Ground

Protective circuit

IEC test classification	C1
IEC test classification	C2
IEC test classification	C3
IEC test classification	B2
VDE requirement class	C1
VDE requirement class	C2
VDE requirement class	C3
VDE requirement class	B2
Maximum continuous voltage U_c (wire-ground)	± 11 V DC
Nominal current I_N	1.5 A (25 °C)
Operating effective current I_c at U_c	≤ 1 mA
Residual current I_{PE}	≤ 1 μ A

Surge protection device - D-LAN-A/RJ45-BS - 2818973

Technical data

Protective circuit

Nominal discharge current I_n (8/20) μ s (Core-Core)	350 A
Nominal discharge current I_n (8/20) μ s (Core-Earth)	2.5 kA
Max. discharge current I_{max} (8/20) μ s maximum (Core-Core)	350 A
Max. discharge current I_{max} (8/20) μ s maximum (Core-Earth)	2.5 kA
Nominal pulse current I_{an} (10/700) μ s (Core-Core)	160 A
Nominal pulse current I_{an} (10/700) μ s (Core-Earth)	160 A
Output voltage limitation at 1 kV/ μ s (Core-Core) static	\leq 30 V
Output voltage limitation at 1 kV/ μ s (Core-Earth) static	\leq 500 V
Output voltage limitation (10/700) μ s (Core-Core)	\leq 12 V
Output voltage limitation (10/700) μ s (Core-Earth)	\leq 200 V
Residual voltage at I_n , (conductor-conductor)	\leq 37 V
Residual voltage at I_n , (conductor-ground)	\leq 70 V
Voltage protection level U_p (Core-Core)	\leq 30 V (C1, 500 V/250 A)
Voltage protection level U_p (Core-Core)	\leq 10 V (B2, 4 kV/100 A)
Voltage protection level U_p (Core-Earth)	\leq 400 V (C1, 500 V/250 A)
Voltage protection level U_p (Core-Earth)	\leq 150 V (B2, 4 kV/100 A)
Voltage protection level U_p (Shield-Earth)	\leq 600 V (C2, 4 kV/2 kA)
Response time t_A (Core-Core)	\leq 500 ns
Response time t_A (Core-Earth)	\leq 100 ns
Input attenuation a_E , asym.	1 dB (up to 100 MHz, 100 Ω system)
Near-end crosstalk attenuation	35 dB (pair 3-6 against pair 4-5 in 100 Ω system / 100 MHz)
Cut-off frequency f_g (3 dB), sym. in 100 Ohm system	> 100 MHz
Cut-off frequency f_g (3 dB), sym. in 150 Ohm system	> 100 MHz
Capacity (Core-Core)	20 pF (1 MHz)
Capacity (Core-Earth)	1 pF (1 MHz)

Connection data

Connection method	RJ45
Connection type IN	RJ45 socket
Connection type OUT	RJ45 socket
Connection method	Network interfaces (e.g. Ethernet, Token Ring and CDDI/FDDI)

Standards and Regulations

Standards/regulations	IEC 61643-21
Standards/regulations	EN 50173

classifications

eCl@ss

eCl@ss 4.0	27140201
eCl@ss 4.1	27130801
eCl@ss 5.0	27130801

Surge protection device - D-LAN-A/RJ45-BS - 2818973

classifications

eCl@ss

eCl@ss 5.1	27130801
eCl@ss 6.0	27130807
eCl@ss 7.0	27130807
eCl@ss 8.0	27130807

ETIM

ETIM 2.0	EC000943
ETIM 3.0	EC000943
ETIM 4.0	EC000943
ETIM 5.0	EC000943

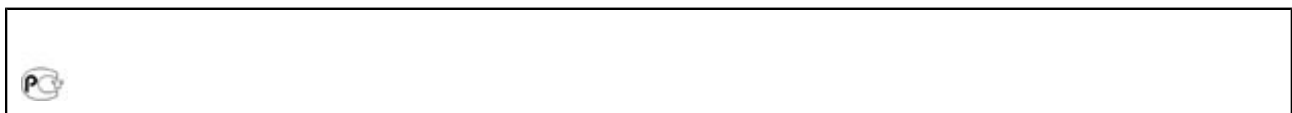
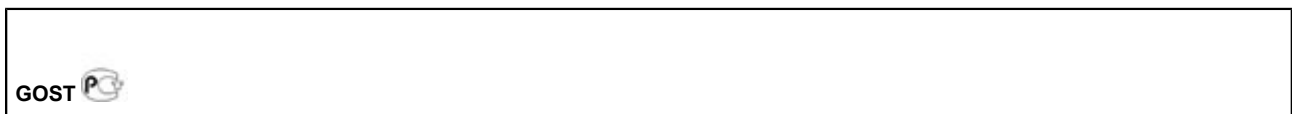
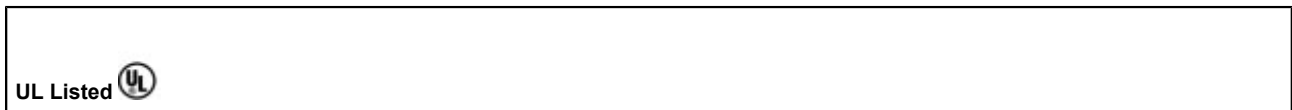
UNSPSC

UNSPSC 6.01	30212010
UNSPSC 7.0901	39121610
UNSPSC 11	39121610
UNSPSC 12.01	39121610
UNSPSC 13.2	39121620

approvals

UL Listed / GOST / GOST /

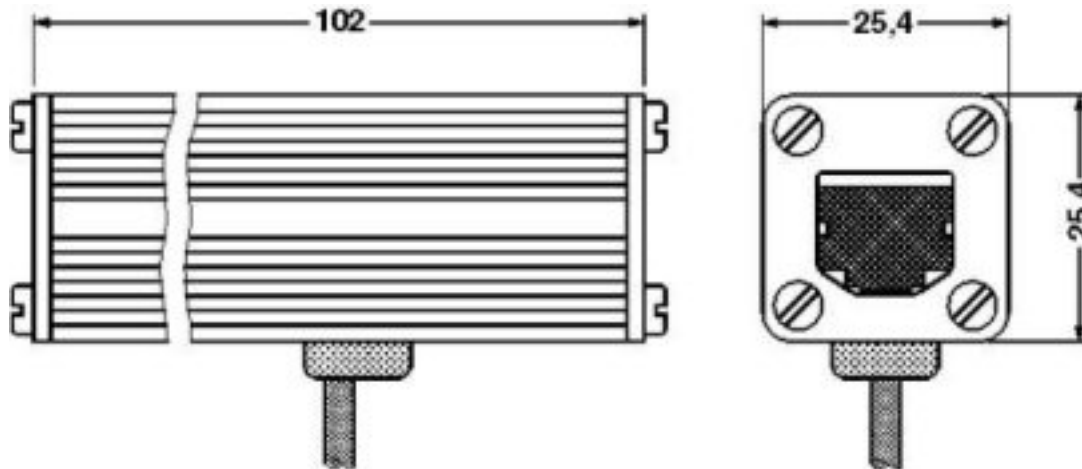
Approval details



Drawings

Surge protection device - D-LAN-A/RJ45-BS - 2818973

Dimensioned drawing



Circuit diagram

