

Cable gland - HC-B-G-M40-PLRBK - 1407672

Please be informed that the data shown in this PDF Document is generated from our Online Catalog. Please find the complete data in the user's documentation. Our General Terms of Use for Downloads are valid (<http://download.phoenixcontact.com>)



EVO plastic cable gland with bayonet locking; size M40, cable diameter: 19 - 28 mm

Key commercial data

package_quantity	1
GTIN	4046356776400

Technical data

Dimensions

Wrench size, union nut	36 mm
External cable diameter	19 mm ... 28 mm

Ambient conditions

Degree of protection	IP66
Degree of protection	IP65 (DIN IEC 60529)
Degree of protection	IP66 (DIN IEC 60529)
Degree of protection	Type 4 (UL50e / NEMA 250)
Degree of protection	Type 4x (UL50e / NEMA 250)
Ambient temperature (operation)	-40 °C ... 100 °C

General

Type of the screw connection	1x M40
Cable gland material	Polyamide
Seal material	NBR
Cable seal material	NBR
Thread type on connection side	Bayonet
Tightening torque, union nut	10.00 Nm
Inflammability class according to UL 94	V0

classifications

eCl@ss

eCl@ss 4.0	27141209
eCl@ss 4.1	27141209
eCl@ss 5.0	27149109

Cable gland - HC-B-G-M40-PLRBK - 1407672

classifications

eCl@ss

eCl@ss 5.1	27143424
eCl@ss 6.0	27149109
eCl@ss 7.0	27149109
eCl@ss 8.0	27149109

ETIM

ETIM 3.0	EC000441
ETIM 4.0	EC000441
ETIM 5.0	EC000441

UNSPSC

UNSPSC 6.01	31261502
UNSPSC 7.0901	31261502
UNSPSC 11	31261502
UNSPSC 12.01	31261502
UNSPSC 13.2	31261502

accessories

Corrugated pipe screw connection

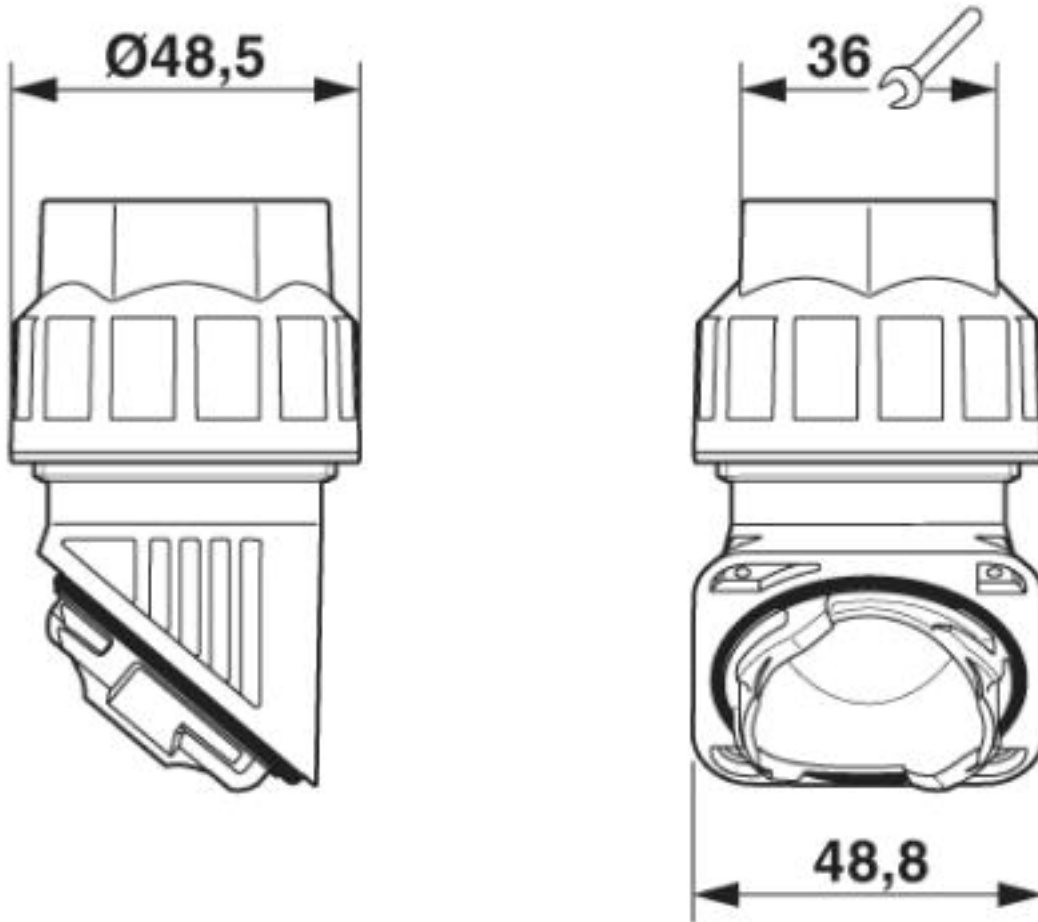
WP-GR HF CTA M40 BK - 3241223



Drawings

Cable gland - HC-B-G-M40-PLRBK - 1407672

Dimensioned drawing



Dimensional drawing

© Phoenix Contact 2013 - all rights reserved
<http://www.phoenixcontact.com>