

Housing - HC-EVO-B10-HLFS-PLBK - 1407626

Please be informed that the data shown in this PDF Document is generated from our Online Catalog. Please find the complete data in the user's documentation. Our General Terms of Use for Downloads are valid (<http://download.phoenixcontact.com>)



HEAVYCON EVO sleeve housing, plastic, with bayonet flange for EVO screw connection, B10, for single locking latch, height: 60.5 mm, without EVO screw connection

Product Features

- Flexible cable outlet direction, lateral or straight
- Lower costs than metal version
- Labeling option using 9 x 20 mm marking label
- Low weight
- Lower risk of condensation
- Both contact insert PE sheets are connected by means of a metal frame integrated in the sleeve housing
- Metal inlays ensure leading PE contact with angled plugs
- Completely corrosion-resistant
- Halogen-free plastic
- Impact test according to IK 08

Key commercial data

package_quantity	1
GTIN	4046356776882

Technical data

Dimensions

Height	60.5 mm
Width	44 mm
Length	73 mm

Ambient conditions

Degree of protection for housing	IP65 (DIN IEC 60529)
Degree of protection for housing	IP66 (DIN IEC 60529)
Degree of protection for housing	Type 4 (UL50e / NEMA 250)
Degree of protection for housing	Type 4x (UL50e / NEMA 250)
Degree of protection for housing	NEMA 12 (UL50e / NEMA 250)
Ambient temperature (operation)	-40 °C ... 125 °C

General

Note	For contact inserts HC-B10, BB18, DD42, M, K8/24
Design	B10

Housing - HC-EVO-B10-HLFS-PLBK - 1407626

Technical data

General

Housing type	Sleeve housings
Color	black
Locking type	for single locking latch
No. of cable exits	1
Cable exit	Straight
Cable exit	Lateral
Screw connection	None
Housing material	Polyamide
Inflammability class according to UL 94	V0
Connection	The sleeve base housing must be supplemented with the EVO screw connection. The EVO screw connection is available in four sizes. It facilitates the creation of a straight or a side cable outlet. The EVO screw connection is mounted with the aid of, for example, a pipe wrench

classifications

eCl@ss

eCl@ss 4.0	27140816
eCl@ss 4.1	27140816
eCl@ss 5.0	27143424
eCl@ss 5.1	27143424
eCl@ss 6.0	27143424
eCl@ss 7.0	27440209
eCl@ss 8.0	27440209

ETIM

ETIM 3.0	EC000437
ETIM 4.0	EC000437
ETIM 5.0	EC000437

UNSPSC

UNSPSC 6.01	31261502
UNSPSC 7.0901	31261502
UNSPSC 11	31261502
UNSPSC 12.01	31261502
UNSPSC 13.2	31261502

accessories

Device marking

Housing - HC-EVO-B10-HLFS-PLBK - 1407626

accessories

US-EMP (20X9) - 0829439



Full screw connection

HC-B-G-M20-PLRBK - 1407669



HC-B-G-M25-PLRBK - 1407670



HC-B-G-M32-PLRBK - 1407671



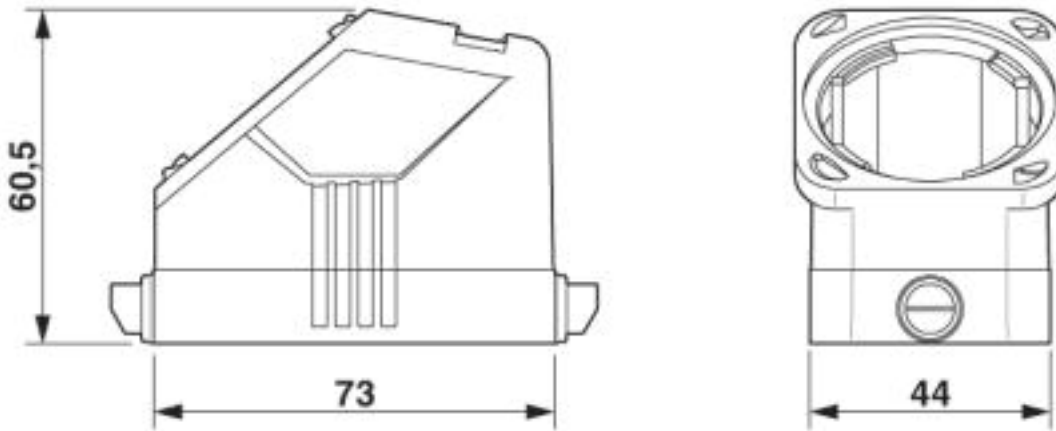
HC-B-G-M40-PLRBK - 1407672



Drawings

Housing - HC-EVO-B10-HLFS-PLBK - 1407626

Dimensioned drawing



Dimensional drawing

© Phoenix Contact 2013 - all rights reserved
<http://www.phoenixcontact.com>