

# T distributor - QPD T 4PE 3X6-11 BK - 1405401

Please be informed that the data shown in this PDF Document is generated from our Online Catalog. Please find the complete data in the user's documentation. Our General Terms of Use for Downloads are valid (<http://download.phoenixcontact.com>)



QUICKON T-distributor, black, 4+PE-pos., 1.0 mm<sup>2</sup> ... 2.5 mm<sup>2</sup>/690 V/20 A, for cable diameter of 6 mm ... 11 mm, with three QUICKON nuts

## Product Features

- Innovative and time saving - QUICKON fast connection for time saving of up to 80% for on-site connection
- Convenient: quick and easy assembly without special tools
- Robust throughout: housing with IP68/IP69K and IK07 protection for a wide range of applications
- Safer connection thanks to polarization against mismatching and touch-proof protection according to DIN EN 0105
- Flexible and compact - by connecting connections internally, H and T-distributors can be used to branch master cables or they can be used as star distributors

## Key commercial data

package_quantity	1
GTIN	4046356776080

## Technical data

### General

Design	T-distributor
Color	black
Locking type	Screw locking
Connection method	QUICKON connection
Connection method	IDC connection
Number of positions	5
Note number of positions	4+PE
Wrench size, union nut	27 mm
Tightening torque, union nut	10 Nm
Number of connections	3
Conductor cross section stranded min.	1 mm <sup>2</sup>
Conductor cross section stranded max.	2.5 mm <sup>2</sup>
Conductor cross section solid min.	1 mm <sup>2</sup>
Conductor cross section solid max.	2.5 mm <sup>2</sup>
Conductor cross section AWG/kcmil min.	16
Conductor cross section AWG/kcmil max	14

### Conductor

# T distributor - QPD T 4PE 3X6-11 BK - 1405401

## Technical data

### Conductor

Structure of individual litz in acc. with VDE 0295 / smallest wire diameter	VDE 0295 class 1 to 6 / min. 0.15 mm
Wire insulation material	PVC/PE/TPE/rubber
Wire diameter including insulation	2.5 mm ... 3.8 mm
External cable diameter	6 mm ... 11 mm

### Ambient conditions

Degree of protection	IP68 (2 m / 24 h)
Degree of protection	IP69K
Ambient temperature (operation)	-40 °C ... 80 °C (See also derating-diagram)
Ambient temperature (storage/transport)	-40 °C ... 80 °C
Temperature when conductor connected	-5 °C ... 50 °C

### Electrical characteristics

Nominal current $I_N$	20 A
Rated current	20 A (See also derating-diagram)
Rated voltage (III/3)	690 V
Rated voltage (III/2)	1000 V
Rated voltage (II/2)	1000 V
Rated surge voltage (III/3)	6 kV
Rated surge voltage (III/2)	8 kV
Rated surge voltage (II/2)	8 kV

### Mechanical characteristics

QUICKON connectability	max. 10
Insertion/withdrawal cycles	50 (Quickon connections max. 10)

### Material data

Contact material	Cu
Contact surface material	Silver-plated
Contact carrier material	PA
Insulating material	PA
Inflammability class according to UL 94	V0
Surge voltage category	III
Pollution degree	3

## classifications

### eCl@ss

eCl@ss 4.0	27140815
eCl@ss 4.1	27140815
eCl@ss 5.0	27143423
eCl@ss 5.1	27143423
eCl@ss 6.0	27143423

# T distributor - QPD T 4PE 3X6-11 BK - 1405401

## classifications

### eCl@ss

eCl@ss 7.0	27449001
eCl@ss 8.0	27449001

### ETIM

ETIM 3.0	EC000516
ETIM 4.0	EC000516
ETIM 5.0	EC000516


### UNSPSC


UNSPSC 6.01	30211923
UNSPSC 7.0901	39121522
UNSPSC 11	39121522
UNSPSC 12.01	39121522
UNSPSC 13.2	39121522

## approvals

VDE Zeichengenehmigung / IECCEB Scheme /

### Approval details

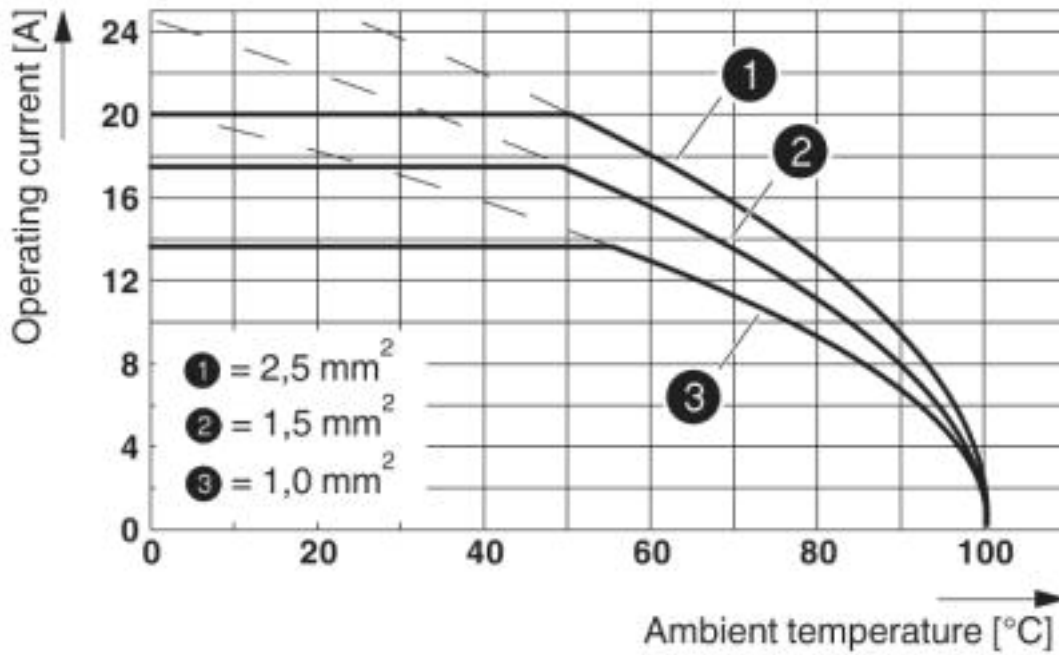
<b>VDE Zeichengenehmigung</b> 	
Nominal voltage UN	690 V
Nominal current IN	20 A
mm <sup>2</sup> /AWG/kcmil	1-2.5

<b>IECEE CB Scheme</b> 	
Nominal voltage UN	690 V
Nominal current IN	
mm <sup>2</sup> /AWG/kcmil	

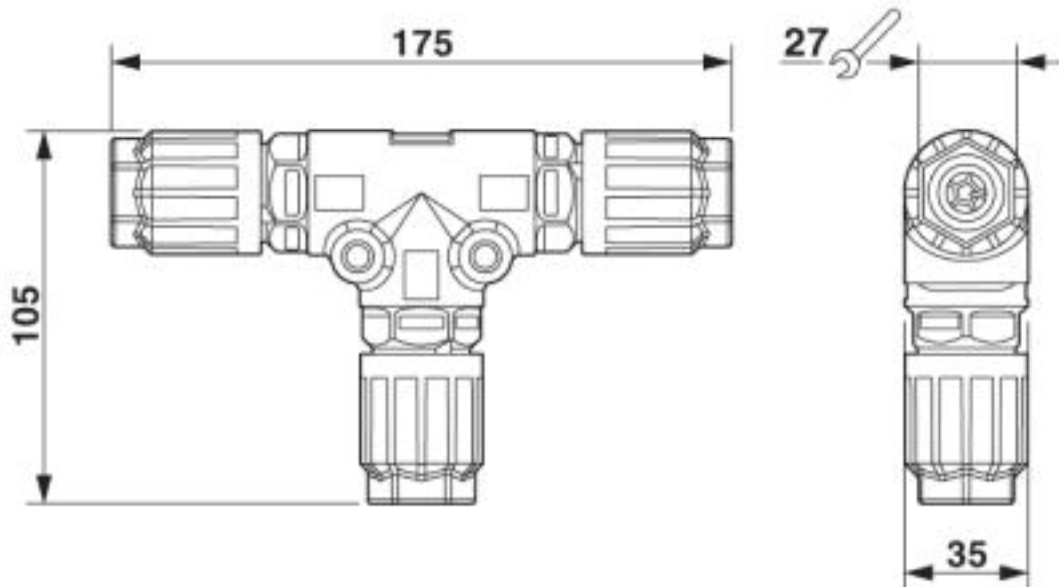
## Drawings

# T distributor - QPD T 4PE 3X6-11 BK - 1405401

Diagram



Dimensioned drawing



Dimensional drawing