

Plug - PTSM 0,5/ 3-P-2,5 WH - 1704854

Please be informed that the data shown in this PDF Document is generated from our Online Catalog. Please find the complete data in the user's documentation. Our General Terms of Use for Downloads are valid (<http://download.phoenixcontact.com>)



Plug component, Nominal current: 6 A, Rated voltage (III/2): 250 V, Number of positions: 3, Pitch: 2.5 mm, Connection method: Spring-cage conn., Color: White, Contact surface: Tin

Key commercial data

package_quantity	250
GTIN	4046356740814

classifications

eCl@ss

eCl@ss 4.0	272607xx
eCl@ss 4.1	27260701
eCl@ss 5.0	27260701
eCl@ss 5.1	27141190
eCl@ss 6.0	27260704
eCl@ss 7.0	27440402
eCl@ss 8.0	27440402

ETIM

ETIM 3.0	EC001121
ETIM 4.0	EC002638
ETIM 5.0	EC002637

UNSPSC

UNSPSC 6.01	30211810
UNSPSC 7.0901	39121409
UNSPSC 11	39121409
UNSPSC 12.01	39121409
UNSPSC 13.2	39121409

approvals

UL Recognized / cUL Recognized / GOST / GOST / UL Recognized / cULus Recognized /

Approval details

Plug - PTSM 0,5/ 3-P-2,5 WH - 1704854

approvals

UL Recognized	
Usegroups	B
Nominal voltage UN	150 V
Nominal current IN	5 A
mm ² /AWG/kcmil	26-20

cUL Recognized	
Usegroups	B
Nominal voltage UN	150 V
Nominal current IN	5 A
mm ² /AWG/kcmil	26-20

GOST

--

Usegroups	B
Nominal voltage UN	150 V
Nominal current IN	5 A
mm ² /AWG/kcmil	26-20

cULus Recognized	
------------------	--

accessories

Screwdriver tools

Plug - PTSM 0,5/ 3-P-2,5 WH - 1704854

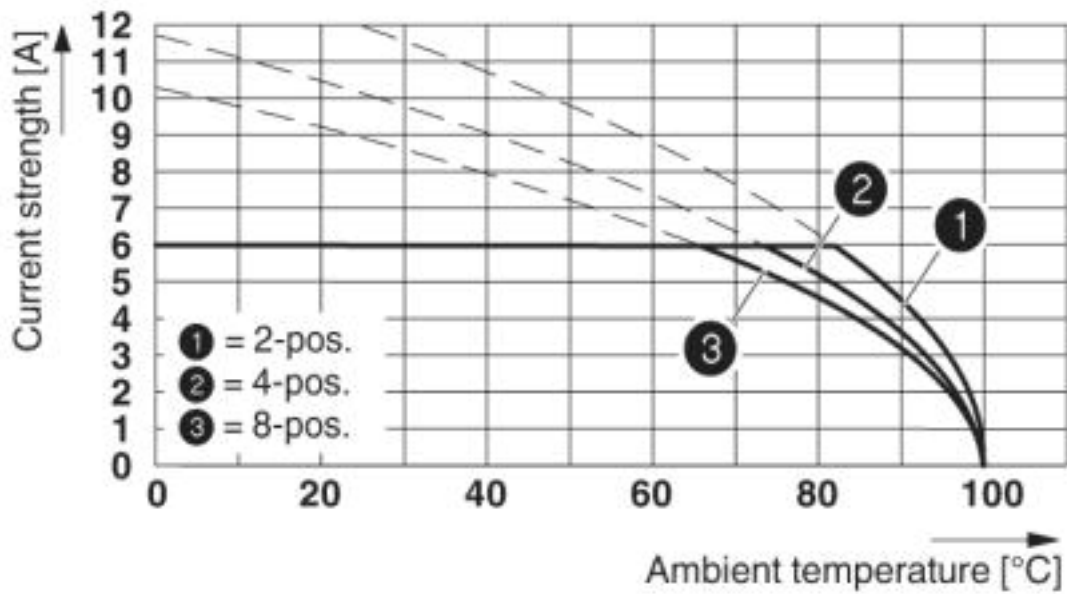
accessories

SZS 0,4X2,0 - 1205202



Drawings

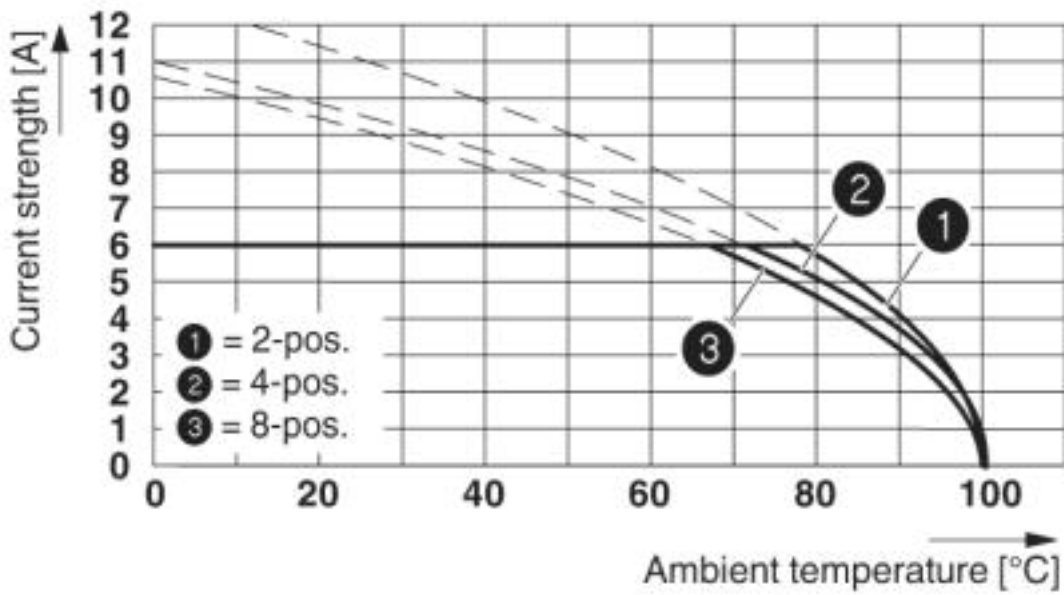
Diagram



Derating curve for: PTSM 0,5/...-P-2,5 with PTSM 0,5/...-HV-2,5-THR R...

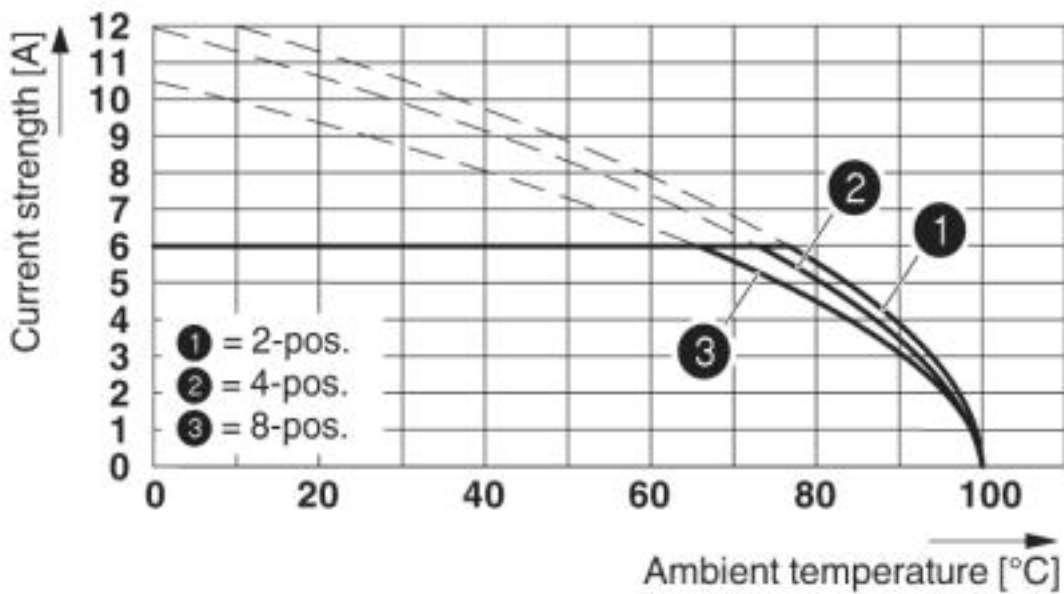
Plug - PTSM 0,5/ 3-P-2,5 WH - 1704854

Diagram



Derating curve for: PTSM 0,5/...P-2,5 with PTSM 0,5/...HH-2,5-THR R..

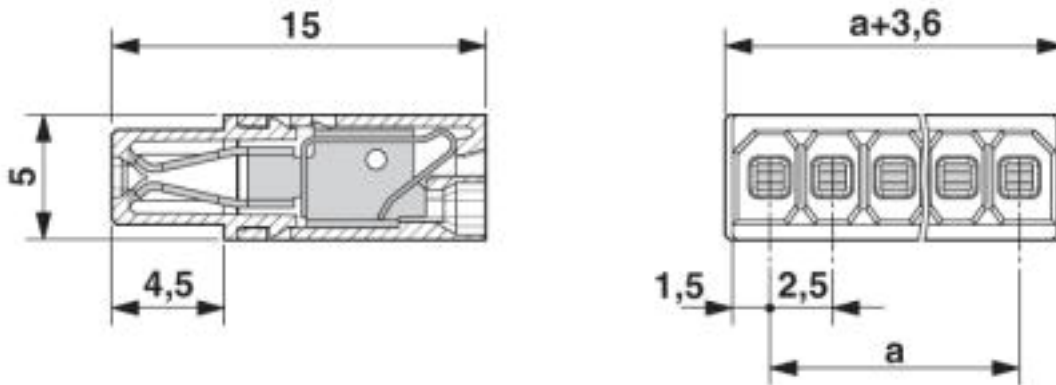
Diagram



Derating curve for: PTSM 0,5/...P-2,5 with PTSM 0,5/...HH-2,5-SMD R..

Plug - PTSM 0,5/ 3-P-2,5 WH - 1704854

Dimensioned drawing



© Phoenix Contact 2013 - all rights reserved
<http://www.phoenixcontact.com>