

# Header - PTSM 0,5/ 4-HH-2,5-THR WH R32 - 1814867

Please be informed that the data shown in this PDF Document is generated from our Online Catalog. Please find the complete data in the user's documentation. Our General Terms of Use for Downloads are valid (<http://download.phoenixcontact.com>)



Header, Nominal current: 6 A, Rated voltage (III/2): 250 V, Number of positions: 4, Pitch: 2.5 mm, Color: White, Contact surface: Tin, Assembly: Taped SMD/THT/THR components

## Key commercial data

package_quantity	500
GTIN	4046356760614

## Technical data

### Dimensions

Length	7.5 mm
Height	5 mm
Pitch	2.5 mm
Dimension a	7.5 mm
Pin dimensions	0,6 x 0,6 mm
Pin spacing	2.50 mm
Hole diameter	1.1 mm

### General

Range of articles	PTSM 0,5/...-HH-THR
Insulating material group	I
Rated surge voltage (III/3)	2.5 kV
Rated surge voltage (III/2)	2.5 kV
Rated surge voltage (II/2)	2.5 kV
Rated voltage (III/3)	125 V
Rated voltage (III/2)	250 V
Rated voltage (II/2)	320 V
Connection in acc. with standard	EN-VDE
Nominal current I <sub>N</sub>	6 A
Maximum load current	6 A
Insulating material	PA
Inflammability class according to UL 94	V0
Color	White
Number of positions	4

# Header - PTSM 0,5/ 4-HH-2,5-THR WH R32 - 1814867

## classifications

### eCl@ss

eCl@ss 4.0	27141109
eCl@ss 4.1	27141109
eCl@ss 5.0	27141190
eCl@ss 5.1	27141190
eCl@ss 6.0	27261101
eCl@ss 7.0	27440401
eCl@ss 8.0	27440401

### ETIM

ETIM 3.0	EC001121
ETIM 4.0	EC002643
ETIM 5.0	EC002637

### UNSPSC

UNSPSC 6.01	30211801
UNSPSC 7.0901	39121432
UNSPSC 11	39121432
UNSPSC 12.01	39121432
UNSPSC 13.2	39121432

## approvals

GOST / UL Recognized / UL Recognized / cUL Recognized / cULus Recognized /

### Approval details

--

<b>Usegroups</b>	<b>B</b>
Nominal voltage UN	150 V
Nominal current IN	5 A
mm <sup>2</sup> /AWG/kcmil	26-20

<b>Usegroups</b>	<b>B</b>
Nominal voltage UN	150 V

# Header - PTSM 0,5/ 4-HH-2,5-THR WH R32 - 1814867

## approvals

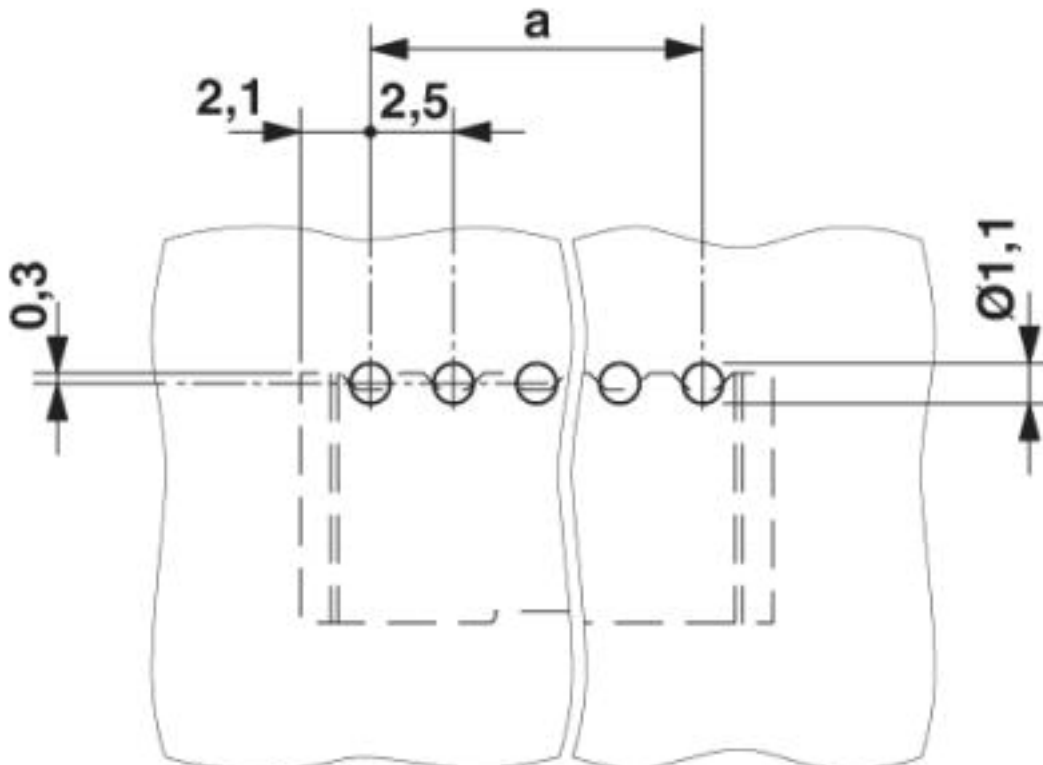
Usegroups	B
Nominal current IN	5 A
mm <sup>2</sup> /AWG/kcmil	

cUL Recognized	
Usegroups	B
Nominal voltage UN	150 V
Nominal current IN	5 A
mm <sup>2</sup> /AWG/kcmil	26-20

cULus Recognized	
------------------	--

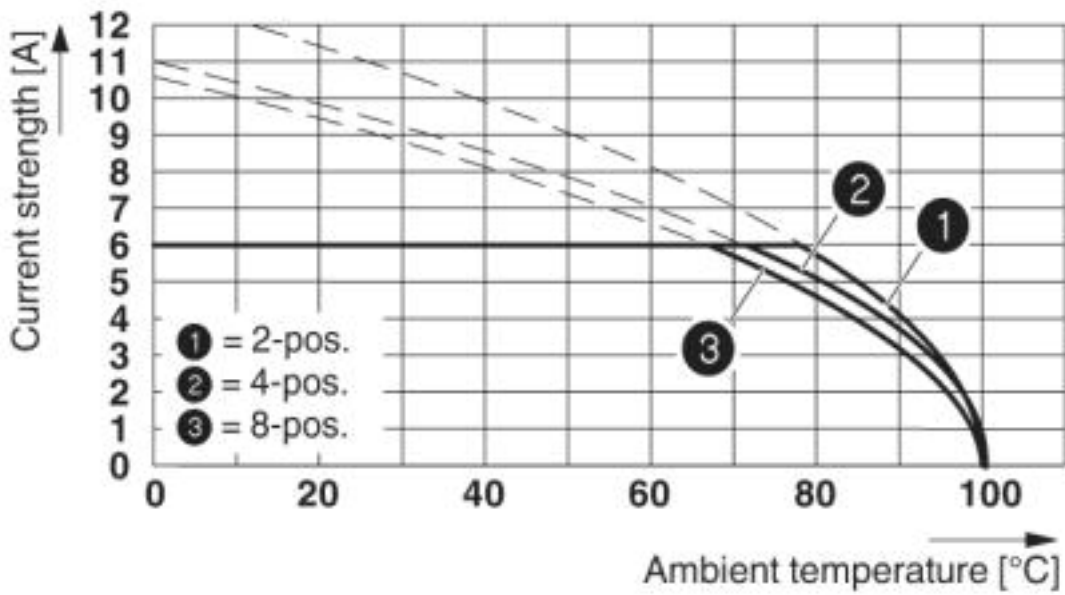
## Drawings

### Drilling diagram



# Header - PTSM 0,5/ 4-HH-2,5-THR WH R32 - 1814867

Diagram



Derating curve for: PTSM 0,5/...P-2,5 with PTSM 0,5/...HH-2,5-THR R..

Dimensioned drawing

