

Printed-circuit board connector - PTSM 0,5/ 2-HHI-2,5-THR WH R24 - 1814980

Please be informed that the data shown in this PDF Document is generated from our Online Catalog. Please find the complete data in the user's documentation. Our General Terms of Use for Downloads are valid (<http://download.phoenixcontact.com>)



Header, Nominal current: 6 A, Rated voltage (III/2): 250 V, Number of positions: 2, Pitch: 2.5 mm, Color: White, Contact surface: Tin, Assembly: Taped SMD/THT/THR components

Key commercial data

package_quantity	500
GTIN	4046356761260

Technical data

Dimensions

Pitch	2.5 mm
Dimension a	2.5 mm
Pin dimensions	0,6 x 0,4 mm
Hole diameter	1 mm

General

Range of articles	PTSM 0,5/...-HHI-THR
Insulating material group	I
Rated surge voltage (III/3)	2.5 kV
Rated surge voltage (III/2)	2.5 kV
Rated surge voltage (II/2)	2.5 kV
Rated voltage (III/3)	160 V
Rated voltage (III/2)	250 V
Rated voltage (II/2)	400 V
Nominal current I _N	6 A
Maximum load current	6 A
Insulating material	PA
Inflammability class according to UL 94	V0
Color	White
Number of positions	2

classifications

eCl@ss

Printed-circuit board connector - PTSM 0,5/ 2-HHI-2,5-THR WH R24 - 1814980

classifications

eCl@ss

eCl@ss 4.0	27141109
eCl@ss 4.1	27141109
eCl@ss 5.0	27141190
eCl@ss 5.1	27141190
eCl@ss 6.0	27261101
eCl@ss 7.0	27440401
eCl@ss 8.0	27440401

ETIM

ETIM 3.0	EC001121
ETIM 4.0	EC002643
ETIM 5.0	EC002637

UNSPSC


UNSPSC 6.01	30211801
UNSPSC 7.0901	39121432
UNSPSC 11	39121432
UNSPSC 12.01	39121432
UNSPSC 13.2	39121432

approvals

GOST / UL Recognized /

Approval details

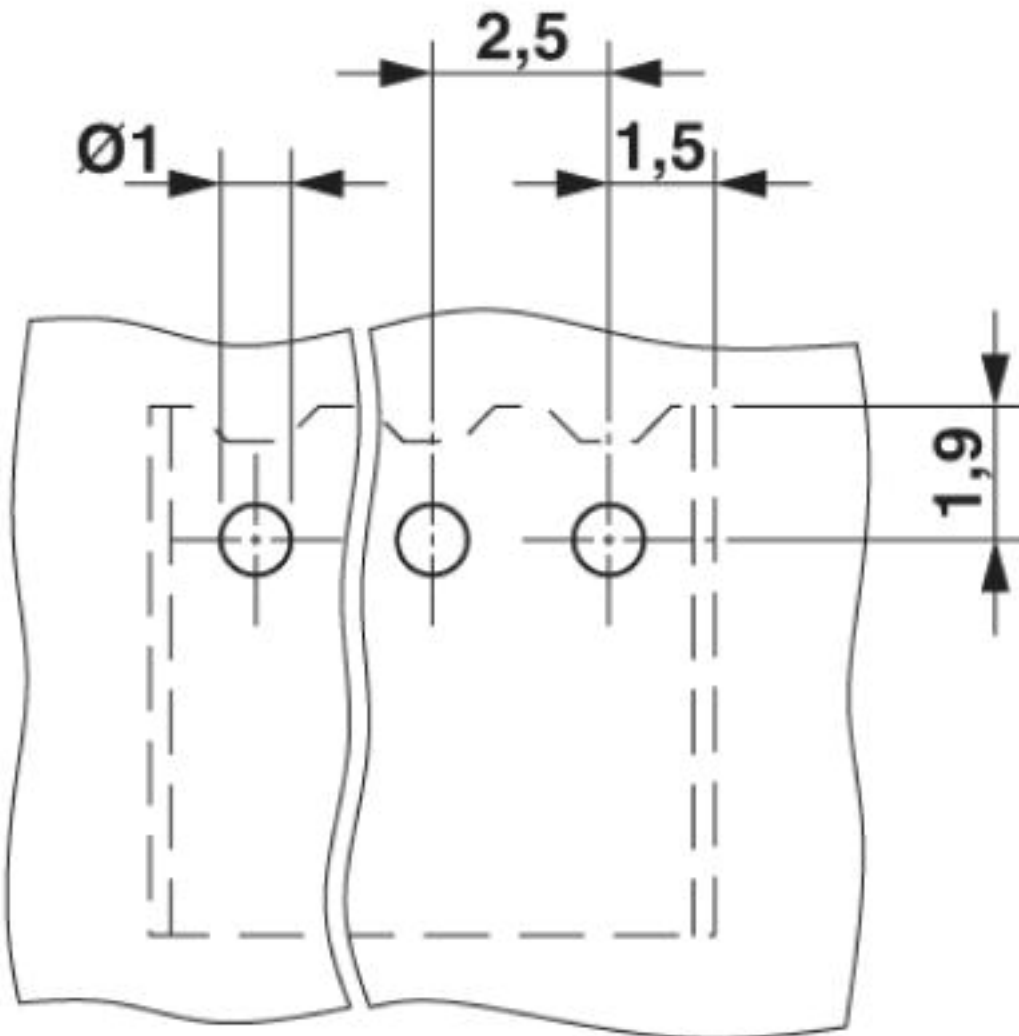


UL Recognized 	
Usegroups	B
Nominal voltage UN	150 V
Nominal current IN	5 A
mm ² /AWG/kcmil	

Drawings

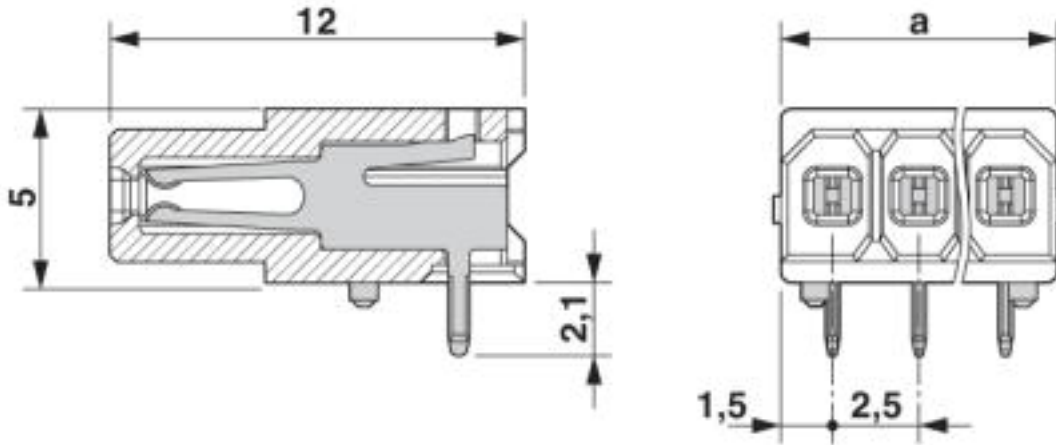
Printed-circuit board connector - PTSM 0,5/ 2-HHI-2,5-THR WH R24 - 1814980

Drilling diagram



Printed-circuit board connector - PTSM 0,5/ 2-HHI-2,5-THR WH R24 - 1814980

Dimensioned drawing



© Phoenix Contact 2013 - all rights reserved
<http://www.phoenixcontact.com>