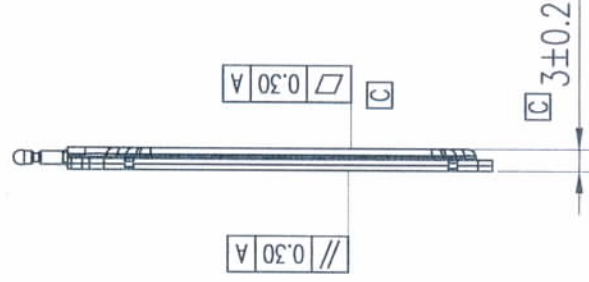
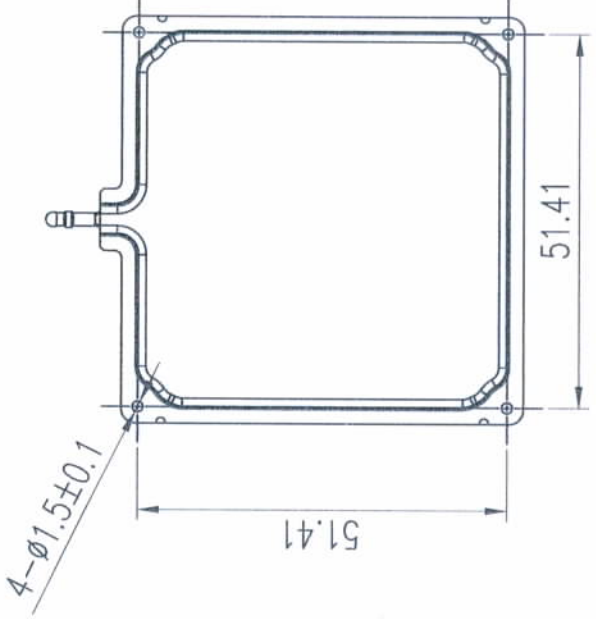
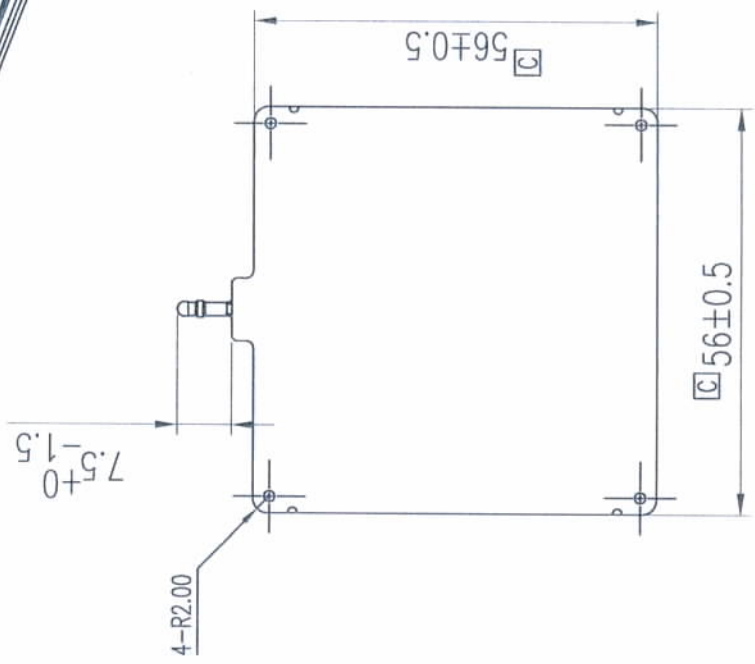
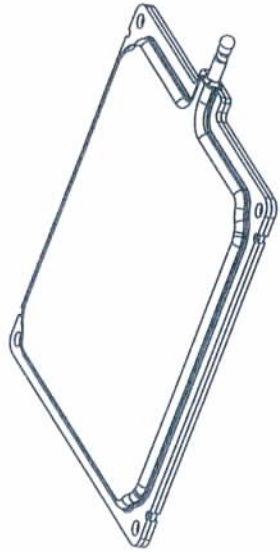


Rev	Date	Description
A	2012.02.01	FIRST ISSUE



NOTE:
 1. No burrs allowed.
 2. Critical dimension with "□" must follow SPEC

LIMITS UNLESS AS FOLLOW:

TOL =	0-6	6-30	30-60	60-120	120-250	250-500	500-1000
	0.1	0.15	0.2	0.3	0.4	0.5	0.6