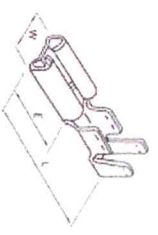


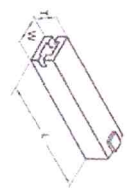
X-X CROSS SEC

Type	Applicable wires	Material	W	L	E	Thickness	Sample
HN280N-01T	STD-01-110N		1.85	15.4	6.3	0.25	A
HN280N-41T	STD-41-110N	BR	1.85	15.4	6.3	0.25	A
HN280P-01T	SOM-21-110	Brass	2.8	20.6	12.0	0.5	B
HN280P-41T	SOM-21T-110		2.8	20.6	12.0	0.5	B

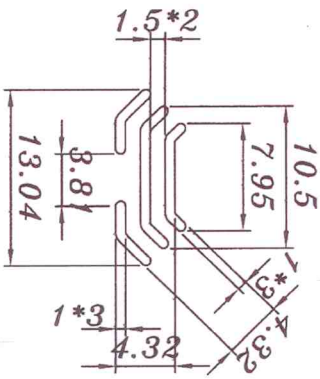
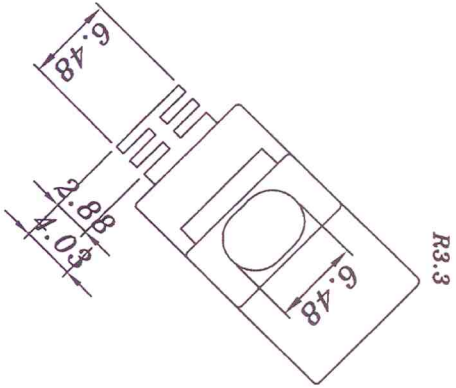
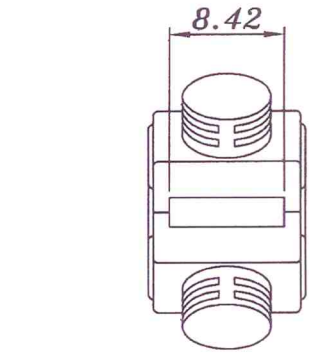
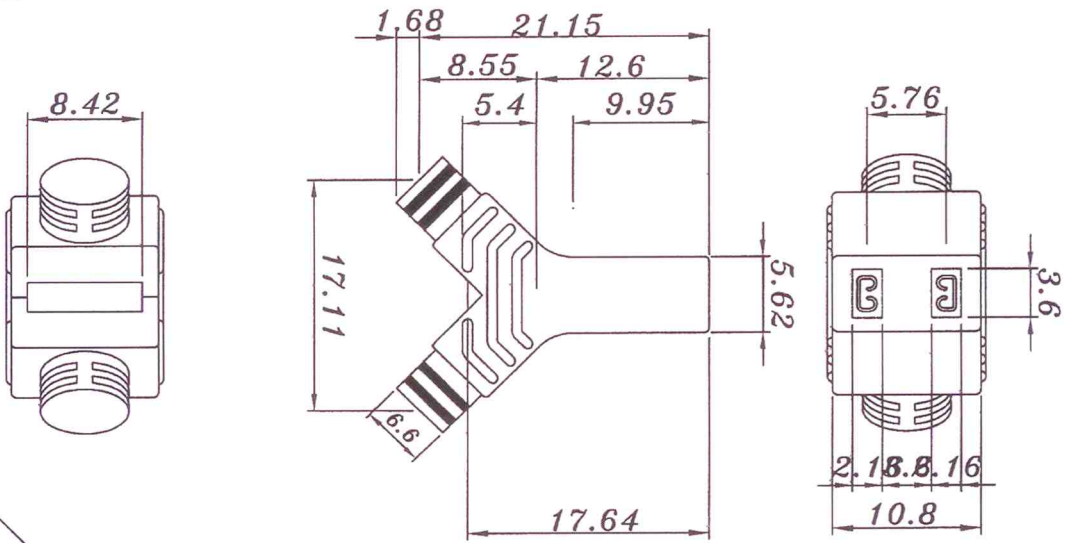


SPECIFICATIONS

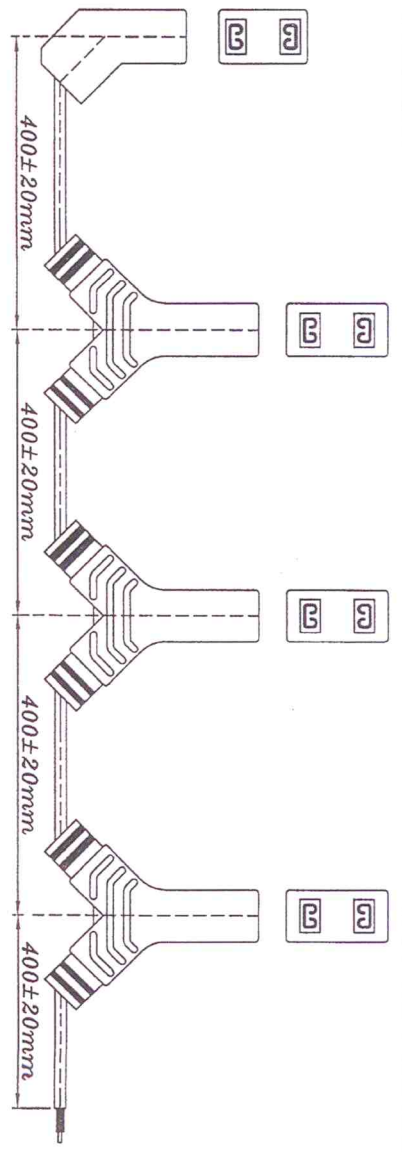
- (Applicable wires) : AWG24# ~16#
 - (Temperature range) : -25℃ ~85℃
 - (Voltage rating) : 300V/AC/DC
 - (Current rating) : 10A
 - (Contact resistance) : ≤0.01Ω
 - (Insulation resistance) : ≥1000MΩ
 - (Withstand voltage) : 1500V/AC/1min
 - (Material) :
 - (Housing) : (PA66) UL94V-2(10)
 - (Terminal) : (Brass Tin/Plated)
- (STANDARDS) : **UL CE**



Series	Type	L	T	W	Suitable Terminal
110V Vertical Board	HN280-110ZKH	200	4.0	5.0	HN280N-01T HN280N-41T



- SPECIFICATION :
- (1) LENGTH : 1620mm
 - (2) COLOR : BLACK
 - (5) CABLE : H03VVH2-F 0.75mm²/2C APPROVAL:EUROPEAN



FAN POWER CORD

ROHS

SPECIFICATION :

- (1) LENGTH : 816mm
- (2) COLOR : BLACK
- (5) CABLE : H03VVH2-F 0.75mm²/2C APPROVAL:EUROPEAN

