

Fig.1

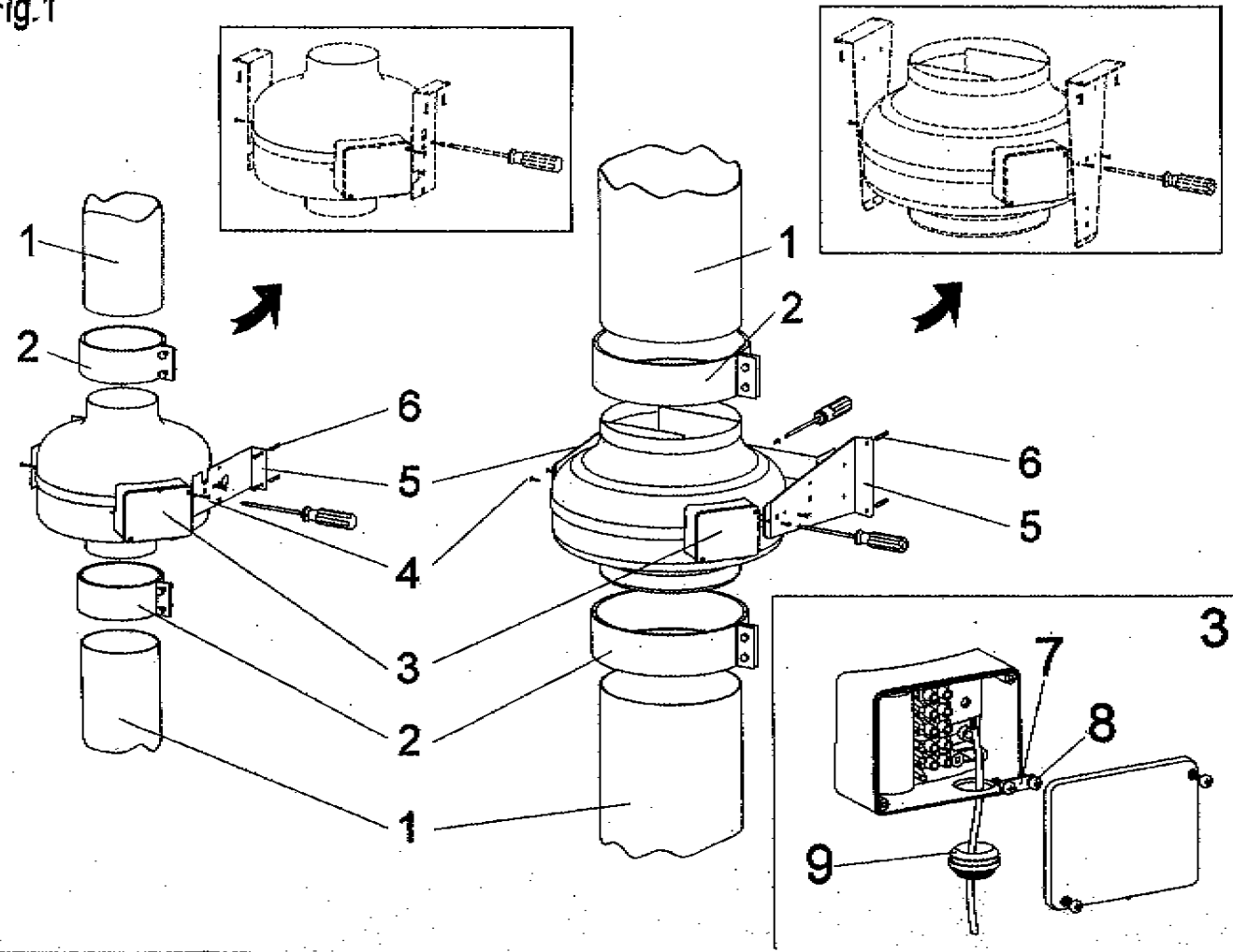


Fig.2

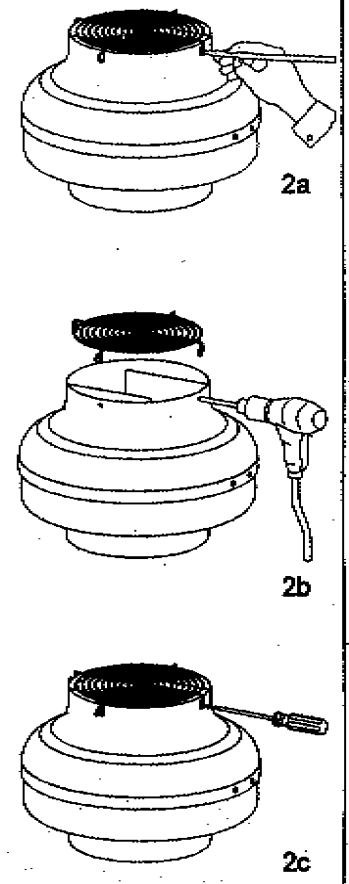


Fig.4

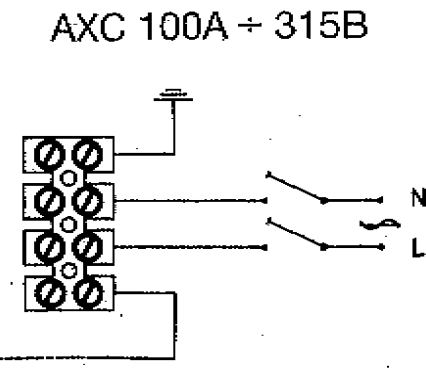
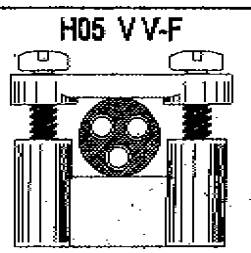


Fig.3



Each appliance of this range weighs more than 20 kg, so that one person alone can move them. For the weight of each item, please see Table 1.

While moving or installing the appliance, you shall wear gloves or similar protection means in order to prevent accidents for your own and third persons' safety.

Install your appliance according with III. 1.

Fasten your appliance steadily by means of wall mounting brackets or clamps if the installation is effected directly on the pipe (both fittings are supplied by us, see III. 1 # ref. 2-5).

If the appliance specific installation doesn't provide a proper canalization or other protections for the mouths access, it is absolutely imperative that a protection wire-netting (supplied on request, see III. 2) is installed on the mouths, in order to prevent the risk of access to the moving parts.

Fit the core hitch, so that it can adhere to the cable diameter perfectly.

Employ a cable type as per III. 3. For the connection see III. 4 and, for further details, the diagrams you will find under the contact box cover (III. 1 # 3).

Provide proper electric protections according to the installed model.

AS APPLIANCES ARE SHEET-MANUFACTURED, IT IS ABSOLUTELY IMPERATIVE THAT THEY ARE CONNECTED TO THE ROUND SYSTEM OR COLLECTOR ON THE INSTALLATION SPOT.

When all the electric connection are carried out, check the connection terminals for their correct locking, close the outlet box and start the appliance.

After the appliance has started, check whether:

the rotation direction is correct, i.e. according to the indication on the contact box (III. 1 # 3)

the electric absorption corresponds to the rating

excessive vibrations can compromise the appliance stability.

Should the appliance be connected through a regulator, make sure that said regulator is proportionate to the power of the concerned appliance.

MAINTENANCE AND CLEANING

The motor and the fan wheel shall be periodically controlled, according to the handled fluid and with the operation type; afterwards every six months of continuous operation.

The appliance maintenance shall be carried out just by qualified persons.

Before any maintenance or cleaning operation, switch off the appliance by opening the master switch or the specific safety switch of the appliance.

During the normal cleaning operations, check the integrity of all appliance parts.

DECLARATION OF CONFORMITY

DECLARES ON HIS OWN AND SOLE RESPONSIBILITY THAT THE FOLLOWING APPLIANCES:

AXC 100A - AXC 100B - AXC 125A - AXC 125B - AXC 150A - AXC 150B - AXC 160A - AXC 160B - AXC 200A - AXC 200B - AXC 250 - AXC 315A - AXC 315B

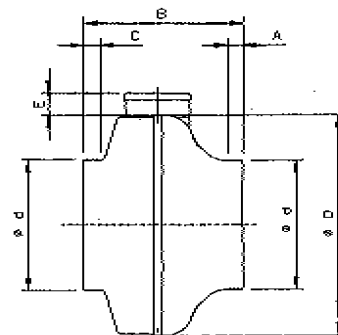
ARE MANUFACTURED IN ACCORDANCE WITH FOLLOWING NORMS:

89/392/CEE, 89/336/CEE, 91/368/CEE, 93/44/CEE, 93/68/CEE

FILICENT S.p.a
Manufacturing Director

SIZES (TABLE 1)

MODEL AXC	B	BD	Ø1	A	C	E	dB(A)	Weight Kg
AXC 100 A	215	245	98	12	24	38,5	49	3,5
AXC 100 B	215	245	98	12	24	38,5	56	3,5
AXC 125 A	214	245	122	11	24	38,5	45	3,5
AXC 125 B	214	245	122	11	24	38,5	55	3,5
AXC 150 A	216	245	147	21,5	23,5	38,5	57	3,5
AXC 150 B	230	333	148	22	22	38,5	55	5,5
AXC 160 A	215	245	157	24	24	38,5	57	3,5
AXC 160 B	230	333	158	21	22	38,5	55	5,5
AXC 200 A	230	333	198	22	27	38,5	60	6,5
AXC 200 B	230	333	198	22	27	38,5	60	6,5
AXC 250	230	333	248	22	35,5	38,5	62	6,5
AXC 315 A	297	404	314	30	52	38,5	62	8
AXC 315 B	308	404	314	30	52	38,5	66	8



LEGEND FIG. 1

- | | |
|--|---------------------------------|
| 1 SUPPLY OR DISCHARGE TUBE (NOT SUPPLIED) | 6 FISCHER |
| 2 HOSE FIXING CLAMP (ACCESSORY) | 7 CABLE GROMMET |
| 3 COVER FOR TERMINAL BOX | 8 SCREWS FOR CABLE CLAMP |
| 4 SET SCREWS | 9 CORE HITCH |
| 5 WALL MOUNTING BRACKETS (ACCESSORY) | |

IT IS RECOMMENDED THAT YOU READ THE FOLLOWING INSTRUCTIONS VERY CAREFULLY BEFORE USING THE PRODUCT. THE MANUFACTURER WILL NOT BE HELD RESPONSIBLE AND DECLINES ANY AND ALL LIABILITY FOR DAMAGE CAUSED TO PERSONS OR PROPERTY DUE TO IMPROPER USE WITH REFERENCE TO THE PRECAUTIONS OUTLINED IN THIS MANUAL.

THIS MANUAL MUST ALWAYS BE READILY AVAILABLE.

GENERAL PRECAUTIONS

- The manual explains how to install correctly, use and perform maintenance on the product. Following these instructions will ensure that the product will be electrically and mechanically reliable and will extend its service life.
- Do not use this product for any purpose other than that for which it was designed and as illustrated herein.
- After removing product from its package, make sure of its integrity, namely:
 - the appliance housing and the fan wheel shall not present damages owed to impact or deformation
 - the fan wheel shall 1) move completely free from any impediment, 2) be well fastened to its rotation shaft and rotate freely.
- Apply immediately to a qualified person for any doubt.
- Do not leave packing parts within the reach of children or unskilled people. Do not dump any hazardous parts into the environment (polystyrene, plastic, polypropylene, etc.).
- If the product is dropped or badly knocked, immediately contact qualified personnel (authorised dealer, service centre or manufacturer) to check that the product operates correctly.
- The use of any electrical device requires compliance with some basic rules which are listed below:
 - do not touch the device with moist or wet parts of the body (hands, feet).
 - do not allow the product to be operated by children or unskilled people.
- Connect the product to the mains electricity supply or electrical outlet only if:
 - your electrical voltage and frequency corresponds to those shown on the rating plate.
 - the capacity of your electricity supply is sufficiently powerful to operate the product at its maximum power.If not, contact professionally qualified personnel.
- It is recommended that the product is switched off when not in use.
- Before carrying out any maintenance or cleaning, switch off the product and disconnect it from the mains electricity supply.
- If a fault, malfunction or anomaly of any type occurs, make the device inoperative (by turning off the switch and by disconnecting it from the mains electricity supply) and immediately contact qualified personnel.
- Always request original spare parts to effect any repairs.
- If the product needs to be removed, turn off the main network circuit-breaker and then disconnect the device from that network.
- Place the device in a safe location far from children and/or unskilled people.
- The electricity system to which the product is connected must comply with the current standards regarding electrical



systems (IEC 64, CENELEC 384) for the parts concerning the application of our devices.

SPECIAL PRECAUTIONS

- The product is professionally manufactured and complies with the current standards regarding electrical equipment.
- The product conforms with the EEC directive EMC 89/336 concerning the suppression of radio interference and electromagnetic compatibility.
- Do not use the product at an ambient temperature greater than 40 °C (104 °F).
- Do not allow the product to be exposed to atmospheric agents (rain, sun, snow, etc.).
- Possible product applications are indicated in the attached illustrations.
- Do not place the device or relative parts in water or liquids, except where indicated in the cleaning and maintenance section.
- When cleaning or performing routine maintenance, check the condition of the device.
- To avoid the risk of fire, do not use the product in the presence of inflammable substances or vapours such as alcohol, insecticides, gasoline, etc.
- The air or fumes being extracted must be clean and free from greasy particles, soot, chemical and corrosive agents, inflammable or explosive mixes (if these substances are treated, contact an authorised dealer to consult the specific range of explosion-proof products).
- The device must be installed by professionally qualified personnel.**
- The connection with the electric network shall take place through a switch, which is at least omnipolar and grants a minimum distance of contact opening higher than 3 mm, and shall be duly dimensioned according with appliance power.
- Should the appliance be installed far from the switchboard and/or control point, a further auxiliary switch of the above-described type **must absolutely** be installed quite close to the appliance.
- To ensure optimum operation, do not block the air intake and delivery vents.
- For devices operating in ducts, make sure that the duct is not blocked.
- For optimum operation, ensure that the product is installed at a minimum height of 2.30 m above the ground.
- The room where the device is located must be adequately ventilated to ensure correct operation.
- If the device is sited in a room containing a fuel burning appliance, the installer must ensure that air replacement is adequate both for the device and the fuel burning appliance.
- The device should not be used as an activator for water heaters, stoves, etc.
- The device must not exhaust into ducts designed to evacuate fumes coming from the combustion in stoves or other combustion-powered devices.
- The device must have a single duct (for its exclusive use) or exhaust directly outdoors.

MODE OF INSTALLATION

APPLIANCES SHALL BE INSTALLED JUST BY DULY QUALIFIED PERSONS